



MODEL F/S-AF-FA-I
FRONT ACCESS COMBINATION FIRE/SMOKE DAMPER

LOW PRESSURE DROP AIRFOIL BLADE PER AMCA STANDARD 500-D

U.L. 555 and U.L.C. S112 Listed 1-1/2 Hour Rated

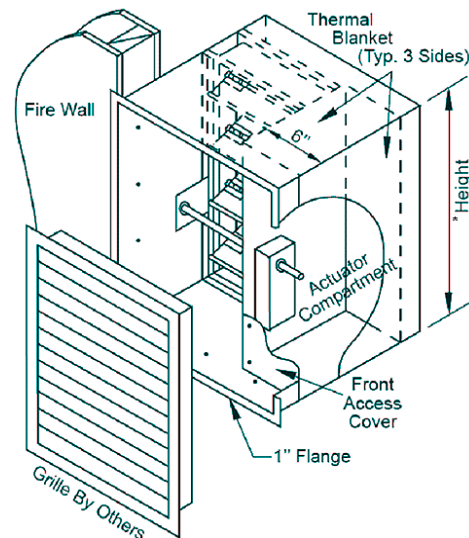
U.L. 555S and U.L.C. S112.1 Listed Class 1 Leakage

UL File No.
 R25410

Standard Construction:

- Frame:** Roll-formed galvanized steel hat-section with staked corners with integral bracing.
- Blades:** Airfoil-shaped, double skin galvanized steel of roll-formed construction. Mechanically joined to form construction equivalent to 14ga. steel.
 Minimum width: 5" (127mm)
 Maximum width: 7" (178mm)
- Bearings:** Bronze Oilite, press-fit into frame.
- Axles:** Square, plated steel.
- Seals:** Pressure sensitive 450° F silicone blade edge seals and flexible metal jamb seals.
- Linkage:** Concealed in frame. Linkage bars are .125" (3.2mm) thick plated steel.
- Sleeve:** Galvanized, wrapped in thermal blanket. (Typ. 3 sides)
- Controlled Closure Device:** (Heat Activated)
 EFL - 165° F Standard, 212°, 250°, 350° F available
 PFL - 165° F Standard, 212° F available
- Finish:** Mill galvanized.
- Maximum Velocity:** 2000 fpm (10.2 m/s) on all sizes
- Maximum Pressure:** 4" wg (1kPa)

U.L. 555S CLASSIFIED
 AT 250 °F OR 350 °F
 DEPENDING UPON
 MOTOR/OPERATOR
*SEE MOTOR/OPERATOR SCHEDULE



Sizes:

- Minimum Size:** 14"w x 10"h
 (356mm x 254mm)
- Maximum Size:** 42"w x 48"h
 (1067mm x 1219mm)

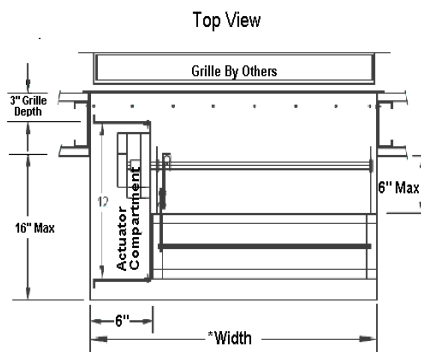
Features:

- The F/S-AF-FA-I series Combination Fire/Smoke Dampers have been designed and tested to exceed all U.L., U.L.C. and N.F.P.A. requirements for fire dampers as well as smoke dampers.
- F/S-AF-FA-I is U.L. 555 and U.L.C. S112 listed and labeled as a 1-1/2 hour fire damper.
- U.L. and U.L.C. listed for vertical mountings.
- U.L. 555S / U.L.C. S112.1 listed and labeled as a Leakage Class I rated Smoke Damper with airflow in both directions. Class I provides for a maximum leakage of 8 cfm per sq. ft. at 4.0 inches static pressure.

Not recommended with blades running vertically.

It is recommended the damper must be inspected and cycled at intervals not greater than every twelve months or in accordance with NFPA 80, 90A, 92A, local codes and the actuator manufacturer.

Face flange shipped loose if external actuator



* Wall opening must be oversized by 3/4" (19mm) to accommodate thermal blanket thickness.

Options:

- Factory sleeves _____ Ga (20 Ga. std.)
 Length _____ (min. 16")
- Retaining Angles
 One Side
- Transitions
 Round
 Oval
- Actuator
 Electric, _____ VAC Voltage
 Pneumatic, 25 psi
- Mounting Orientation
 Horizontal Vertical

Suggested Specification

Combination Fire/Smoke Dampers shall be Model: F/S-AF-FA-I, by United Enertech. Fire/Smoke Dampers shall bear the Underwriters' Laboratories labels for both Fire Dampers and Smoke Dampers. Each damper shall be UL/ULC qualified for mounting outside of the plane of the wall and have concealed actuator access, from grille side, to allow 'through the grille' access to actuators and controls. U.L. 555S rating shall be Class I with leakage not exceed 8 cfm per sq. ft. at 4.0 inches static pressure for any size. Linkage shall be of the concealed type for maximum free area.

Name: Location: Architect: Engineer: Contractor:	<input type="checkbox"/> MODEL F/S-AF-FA-I (1-1/2 hour)	
DRAWN BY: MAB	DATE: 11-13-07	REV. DATE: 7-30-08
REV. NO. 2	APPROVED BY: SDC	DWG. NO.: B-13

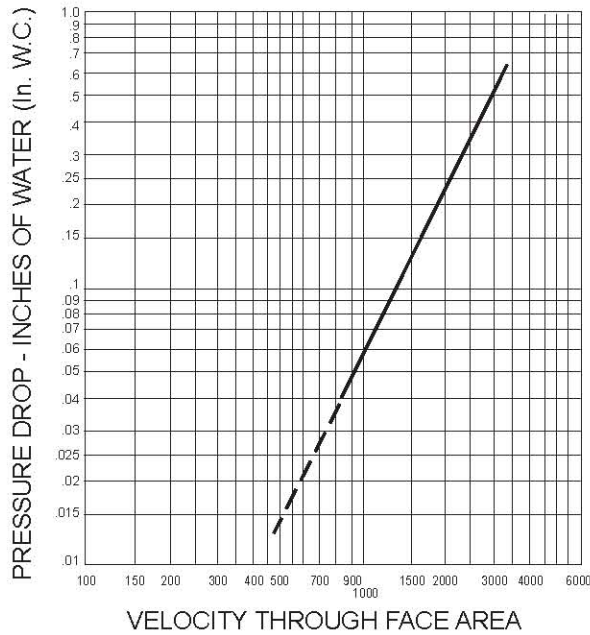


MODEL F/S-AF-FA-I
COMBINATION FIRE / SMOKE DAMPER
U.L. 555 AND U.L.C. S112 LISTED 1-1/2 HOUR RATED
U.L. 555S AND U.L.C. S112.1 LISTED CLASS I LEAKAGE

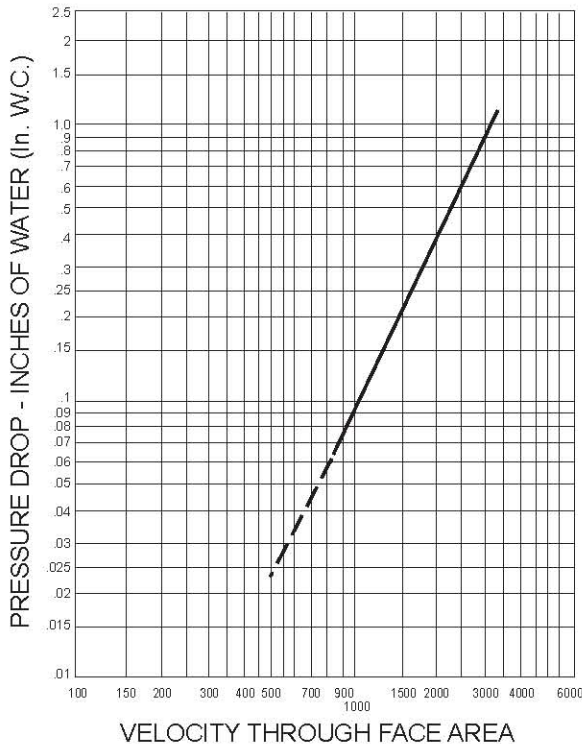
PERFORMANCE DATA

Pressure drop testing was done by an independent laboratory to the AMCA Standard 500-D, Fig. 5.3 ductwork upstream & downstream.

DAMPER SIZE 36 x 36



DAMPER SIZE 24 x 24



DAMPER SIZE 12 X 12

