

SERIES: PRISM SCREEN

STANDARD CONSTRUCTION:

PERIMETER FRAME: 0.125" To 0.25" Extruded Aluminum Bar, Channel, or Tube

GRILL DEPTH: 2" min. to 4" max.

HORIZONTAL BAR ANGLE: 0° min. to 45° max.

HORIZONTAL BAR SPACING: 4" min. to 12" max.

VERTICAL BAR SPACING: 4" min. to 12" max.

FINISH: Mill Aluminum (Std.)

SINGLE SECTION SIZE LIMITATIONS:

Height - 12" Minimum To 120" Maximum

Width - 12" Minimum To 120" Maximum

Depth - 2" Minimum To 4" Maximum

* NOTE: BOTH DIMENSION CANNOT EXCEED 84"

OPTIONS:

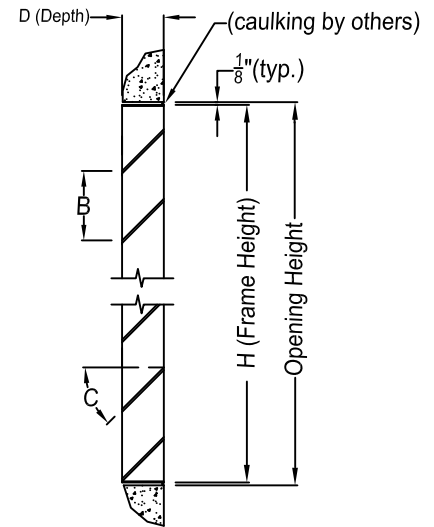
- .75 x .051 Flattened Alum. Birdscreen
- 18-16 Mesh .011 AL. Insect Screen
- Bar Perimeter Frame
- Channel Perimeter Frame
- Tube Perimeter Frame

INSTALLATION OPTIONS:

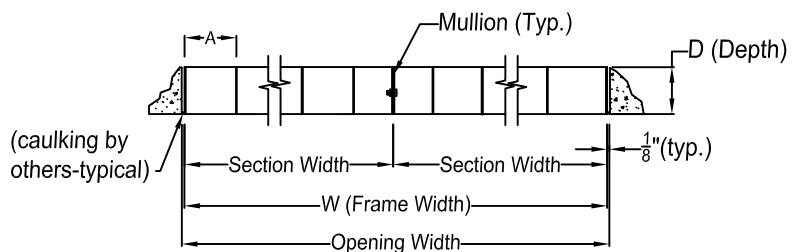
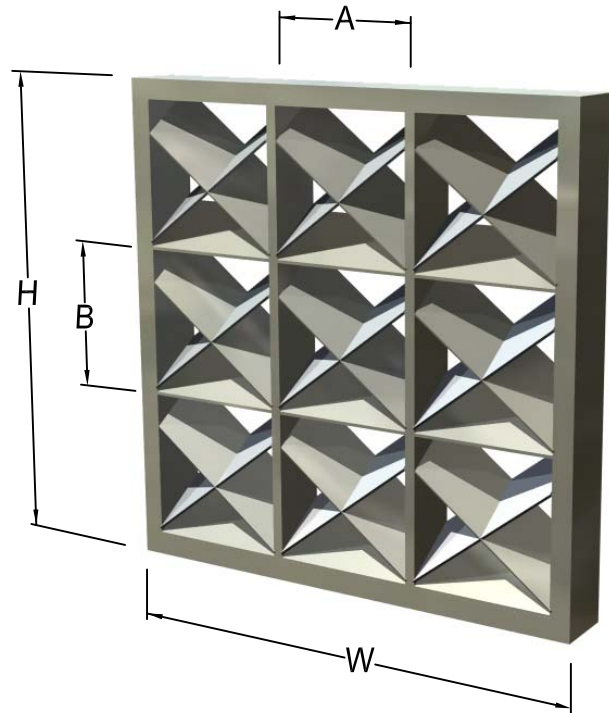
- Holes in outer frame
- Clip angles
- None
- Other

OPTIONAL FINISHES:

- Powder Polyester TGIC** (2 coats) baked on at 410°F, 2.5 to 3.5 mils Meets AAMA-2603 Standards
 - Powder Super durable polyester** (2 coats) baked on at 410°F, 2.5 to 3.5 mils Meets AAMA-2604-05 Standards
 - Acrylic baked enamel (ACRA-BOND® ULTRA)** by AkzoNobel baked on at 350°F, 0.8 to 1.2 mils dry Meets AAMA-2603 Standards
 - Kynar® (ALUM*A*STAR®)** 2 coats by AkzoNobel baked on at 450°F, 1.2 to 1.6 mils dry Meets AAMA-2605-05 Standards
 - Kynar 500®** or **HYLAR® 5000 70% TRINAR®** (2 coats) by AkzoNobel baked on at 450°F, 1.2 to 1.6 mils dry, Meets AAMA-2605-05 Standards
 - Kynar 500®** or **HYLAR® 5000 (70% Tri-Escnt II)** (2 coats) by AkzoNobel, a superior finish to other metallic or anodized finishes. A blend of mica, ceramic, and inorganic pigments creates subtle yet dazzling design that goes beyond metallic color without the requirement of a clear coat. 14 standard colors - custom colors available. Baked on at 415°F, 1.4 to 1.8 mils dry, meets AAMA 2605-05.
 - Clear Anodize Match** (paint meets AAMA 611)
 - Integral Color Anodize Match** (paint meets AAMA 611)
- Clear coat available for all above finishes.
 - Hylar® 5000 is a registered trademark of Solvay Solexis, Inc.
 - Kynar® 500 is a registered trademark of Arkema.
 - ALUM*A*STAR® 50 and TRINAR® are registered trademarks of AkzoNobel
 - ACRA-BOND® ULTRA is a registered trademark of AkzoNobel



VERTICAL SECTION



HORIZONTAL SECTION

Due to continuing research, United Enertech reserves the right to change specifications without notice.

OVERALL SCREEN DIMENSIONS			INDIVIDUAL GRID DIMENSIONS		Blade Angle
(W)	(H)	(D)	(A)	(B)	(C)



3005 South Hickory Street
 Chattanooga, Tennessee 37407
 Tel: (423) 698-7715
 Fax: (423) 698-6629
 www.unitedenertech.com

SERIES: Prism Screen

DRAWN BY: MHM	DATE: 6-15-10	REV. DATE: 1-11-13	REV. NO. 1	APPROVED BY: BGT	DWG. NO.: D-11
------------------	------------------	-----------------------	---------------	---------------------	-------------------