

MODESTO SERIES

STANDARD CONSTRUCTION:

TAPERED OUTRIGGERS:

.25" Aluminum

SIDE SHADE FRAMES:

2" W X 2" H SQUARE TUBE .125" Aluminum

BLADES:

.081" Extruded Aluminum Rectangular Tube Blades
(6" x 5/8" Shown - Other Sizes Available)
(On 8" Centers)

ROUNDED BULL NOSE FASCIA

.25" Aluminum - 2 1/4"W x 4 1/4"H

FINISH:

mill aluminum (std.)

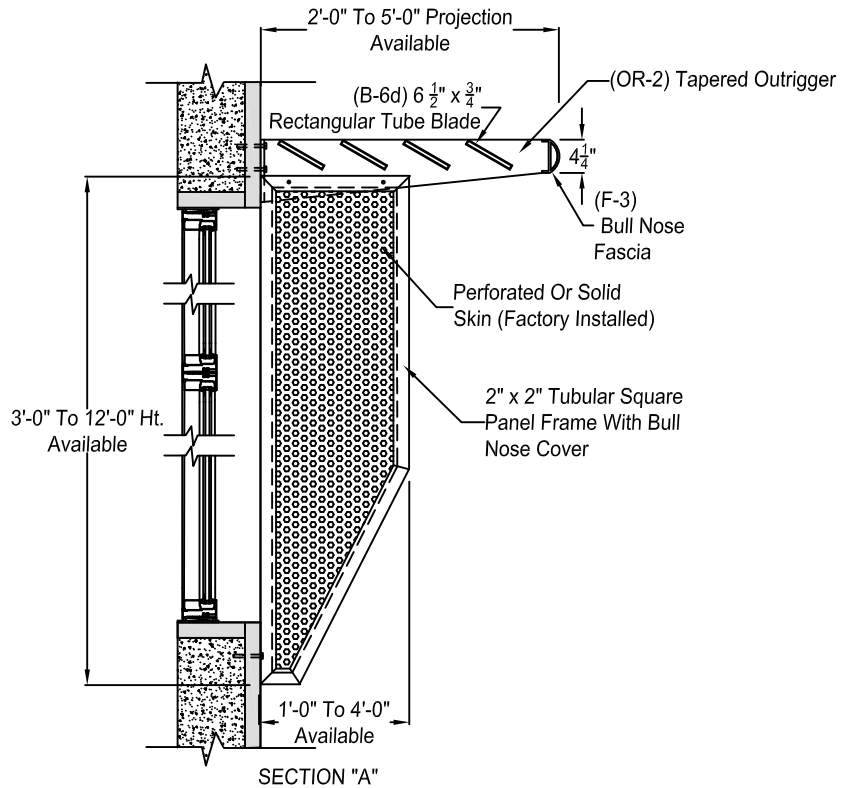
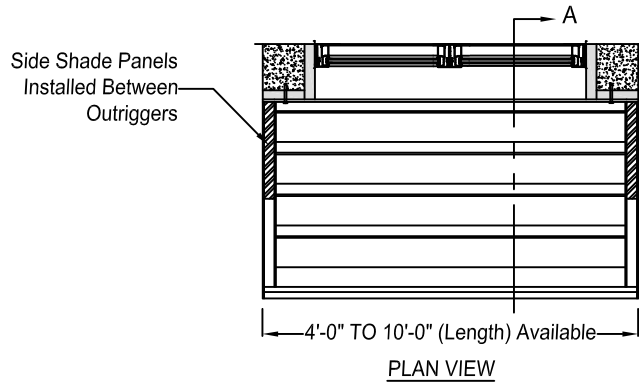
MAXIMUM SIZE:

Length *120" x Projection 60" (max.)

*Intermediate blade support may be required.

OPTIONAL FINISHES:

- Powder Polyester TGIC** (2 coats) baked on at 410°F -2.5 to 3.5 mils Meets AAMA-2603 Standards
- Powder Super durable polyester** (2 coats) baked on at 410°F -2.5 to 3.5 mils Meets AAMA-2604-05 Standards
- Acrylic baked enamel (ACRA-BOND® ULTRA)** by AkzoNobel baked on at 350°F -0.8 to 1.2 mils dry Meets AAMA-2603 Standards
- Kynar® (ALUM*A*STAR®)** 2 coats by AkzoNobel baked on at 450°F -1.2 to 1.6 mils dry Meets AAMA-2604-05 Standards
- Kynar 500® or HYLAR® 5000 70% TRINAR®** (2 coats) by AkzoNobel baked on at 450°F -1.2 to 1.6 mils dry, Meets AAMA-2605-05 Standards
- Kynar 500® or HYLAR® 5000 (70% Tri-Escent II)** (2 coats) by AkzoNobel, a superior finish to other metallic or anodized finishes. A blend of mica, ceramic, and inorganic pigments creates subtle yet dazzling design that goes beyond metallic color without the requirement of a clear coat. 14 standard colors - custom colors available. Baked on at 415°F -1.4 to 1.8 mils dry, meets AAMA 2605-05.
- Clear Anodize Match** (paint meets AAMA 611)
- Integral Color Anodize Match** (paint meets AAMA 611)
 - Clear coat available for all above finishes.
 - Hylar® 5000 is a registered trademark of Solvay Solexis, Inc.
 - Kynar® 500 is a registered trademark of Arkema.
 - ALUM*A*STAR® 50 and TRINAR® are registered trademarks of AkzoNobel
 - ACRA-BOND® ULTRA is a registered trademark of AkzoNobel



3 part specifications - see online at www.unitedenertech.com



Due to continuing research, United Enertech reserves the right to change specifications without notice.

QUANTITY	HEIGHT	LENGTH	TAG



3005 South Hickory Street
Chattanooga, Tennessee 37407
Tel: (423) 698-7715
Fax: (423) 698-6629
www.unitedenertech.com

MODESTO SERIES

DRAWN BY: GDR	DATE: 3-16-10	REV. DATE: 1-11-13	REV. NO. 1	APPROVED BY: BGT	DWG. NO.: C-15
------------------	------------------	-----------------------	---------------	---------------------	--------------------------