

MODEL EFL

(ELECTRIC FUSE LINK)

FOR COMBINATION FIRE / SMOKE DAMPERS AND
 MOTORIZED MULTI-BLADE FIRE DAMPERS

In today's life safety products markets, many building codes require fire dampers, smoke dampers and combination fire and smoke dampers to be inspected for proper operation. Many of these codes require that the damper be inspected and cycled every 6 months to a year depending on the local authority and the type of system in which it is installed.

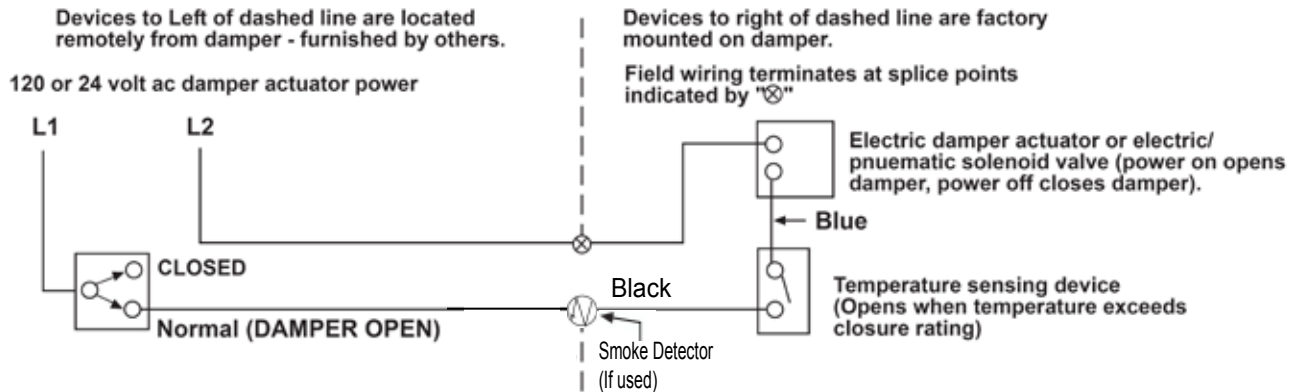
U.L. 555S CLASSIFIED
 AT 250 °F OR 350 °F
 DEPENDING UPON
 MOTOR/OPERATOR
*SEE MOTOR/OPERATOR SCHEDULE



United Enertech's EFL option provides the ease of operating and resetting the damper in a matter of seconds without replacing the damper. **Dampers which allow remote resetting of the damper from a remote location are dangerous.** A remotely reset damper may not be fully functional and should be visually inspected. The EFL is reset from the outside of the damper sleeve, when the actuator is externally mounted, therefore requiring a visual inspection of the damper. By depressing a button on the outside of the sleeve and inspector can verify if the damper is fully operational. The EFL is a multi-use heat responsive device. It is wired in series with the smoke detector therefore it is user friendly in most applications. When the smoke detector interrupts the current to the damper, the EFL will not hinder the closing of the damper.

The EFL is standard on all United Enertech F/S Model dampers and Motorized Multi-Blade Fire Dampers. The EFL comes in temperatures of 165°F, 212°F, 250°F and 350°F (depending on actuator selected).

(The below details do not apply to the Siemens GND Series - Refer to Pages B-24c & B-24d)



F/S DAMPER EFL OPERATION

Switch is in Normal (Damper Open) Position: Damper motor is energized until thermostat senses temperature above initial closure rating. Above temperature closure rating, the damper motor is de-energized and damper closes. Smoke Detector (if used) wired in series with temperature sensitive device. Switch in Closed Position damper motor is de-energized and damper is closed. Detailed wiring diagrams including terminal designation and/or wire color coding furnished with each shipment.

Thermostat Switch Electrical Limitations

- 15 Ampere, 120 Volts A.C.
- 15 Ampere, 24 Volts A.C.
- 12.5 Ampere, 250 Volts A.C.

Manufacturer's Recommendations

All moving parts of the damper must be inspected and cycled at intervals not greater than every 12 months or in accordance with the latest edition of NFPA 90A, 92A, local codes and the actuator manufacturer. In addition, fuse links shall be removed and inspected for corrosion. Dry lubricants are recommended.

Job Name:	<input type="checkbox"/> MODEL EFL		
Location:			
Architect:			
Engineer:	DRAWN BY: MAB	DATE: 05-14-08	REV. DATE: 7-14-08
Contractor:	REV. NO. 2	APPROVED BY: SDC	DWG. NO.: B-24a

MODEL EFL

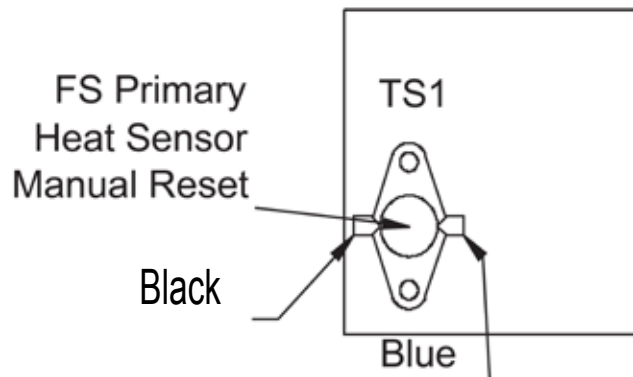
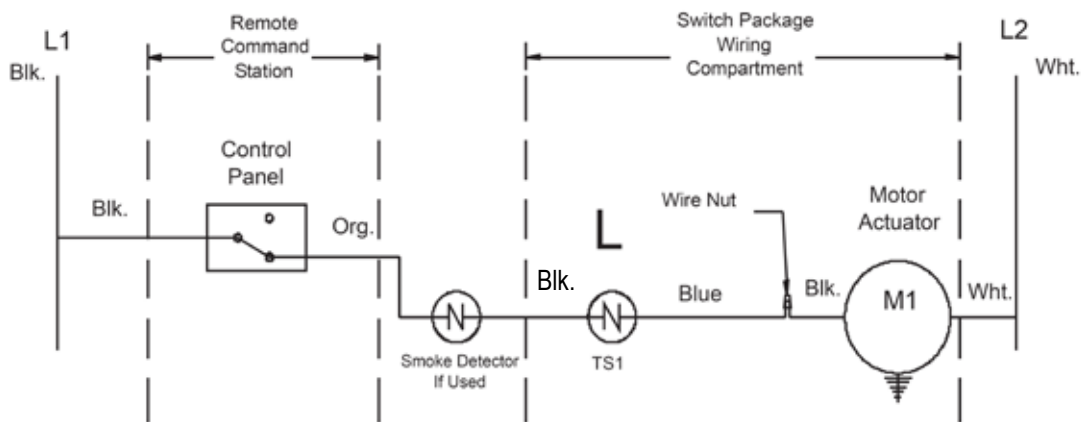
Electric Fuse Link

FOR COMBINATION FIRE / SMOKE DAMPERS AND
 MOTORIZED MULTI-BLADE FIRE DAMPERS

U.L. 555S CLASSIFIED
 AT 250 °F OR 350 °F
 DEPENDING UPON
 MOTOR/OPERATOR
*SEE MOTOR/OPERATOR SCHEDULE



EFL Wiring Details



Job Name:	<input type="checkbox"/> MODEL EFL		
Location:			
Architect:			
Engineer:	DRAWN BY: MAB	DATE: 05-14-08	REV. DATE: 07-14-08
Contractor:	REV. NO. 2	APPROVED BY: SDC	DWG. NO.: B-24 b

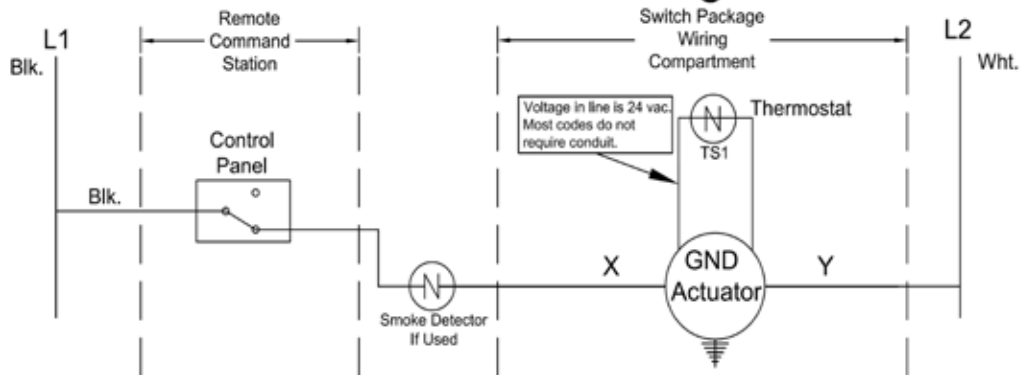


MODEL STO/R w/ Siemens GND Series Actuator
 (SINGLE THERMOSTAT OPERATOR RELEASE)
 FOR COMBINATION FIRE / SMOKE DAMPERS AND
 MOTORIZED MULTI - BLADE FIRE DAMPERS

U.L. 555S CLASSIFIED
 AT 250 °F OR 350 °F
 DEPENDING UPON
 MOTOR/OPERATOR
 *SEE MOTOR/OPERATOR SCHEDULE



GND with STO/R - Wiring Details



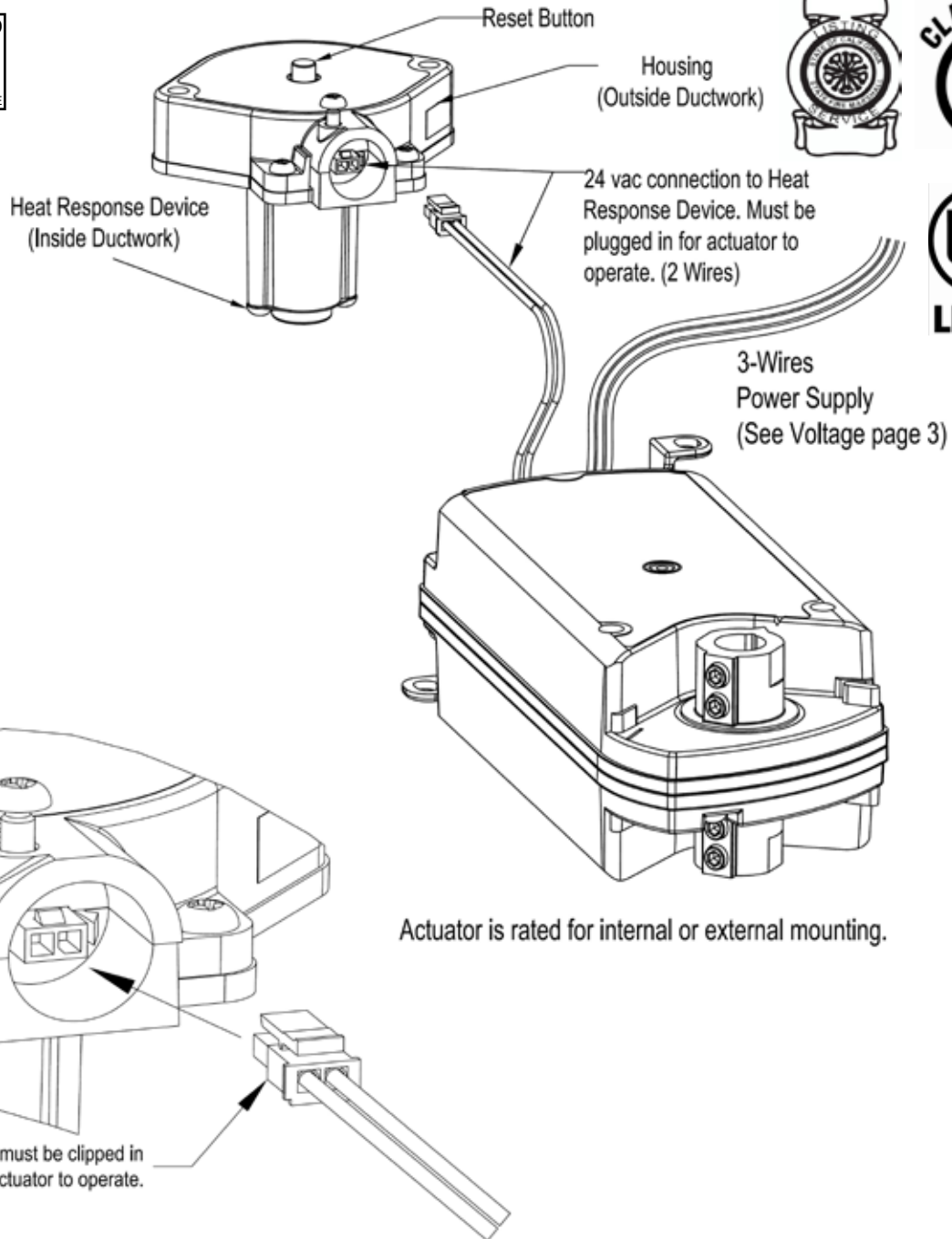
The Thermostat is wired to the actuator via a low voltage (24 vac) connection. In most cases codes does not require this wiring to be incased. Check with your local codes to see if low voltage wires requires conduit.

	24 vac/vdc	120 vac	230 vac
Supply (X)	Red	White	Brown
Neutral (Y)	Black	Black	Blue
Ground	Green	Green	Green

Job Name:	<input type="checkbox"/> MODEL STO/R - Wiring Details		
Location:			
Architect:			
Engineer:	DRAWN BY: MAB	DATE: 05-14-08	REV. DATE: 7-14-08
Contractor:	REV. NO. 2	APPROVED BY: SDC	DWG. NO.: B-24c

MODEL EFL w/ Siemens GND Series Actuator FOR COMBINATION FIRE/SMOKE CORRIDOR DAMPERS AND MOTORIZED MULTI-BLADE FIRE DAMPERS

U.L. 555S CLASSIFIED
 AT 250 °F OR 350 °F
 DEPENDING UPON
 MOTOR/OPERATOR
 *SEE MOTOR/OPERATOR SCHEDULE



Job Name:

Location:

Architect:

Engineer:

Contractor:

MODEL EFL w/ Siemens GND

DRAWN BY:
MAB

DATE:
 05-14-08

REV. DATE:
 7-14-08

REV. NO.
 2

APPROVED BY:
 SDC

DWG. NO.:
B-24d