

CRIMSON SERIES

STANDARD CONSTRUCTION:

OUTRIGGER

- .25" Aluminum (standard)
- .375" Aluminum (optional)

BLADES:

.108" Aluminum Airfoils 1-1/2" deep x 6-1/2" wide on approximately 9" centers.

FASCIA COVER & MOUNTING BRACKETS

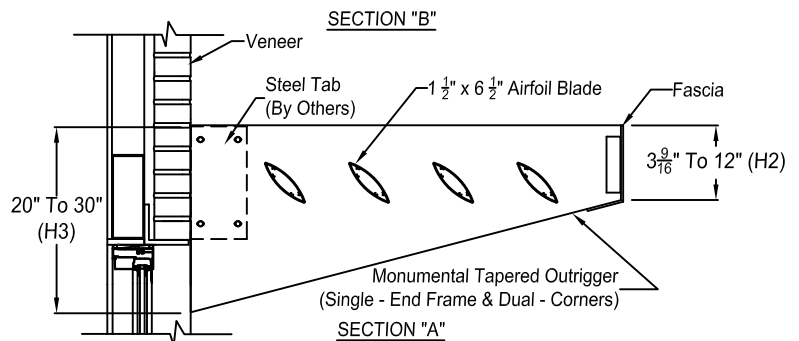
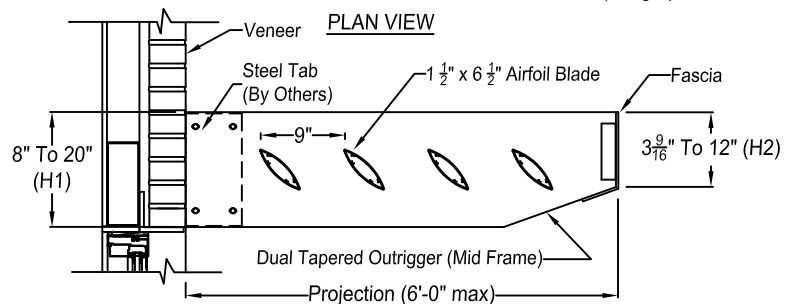
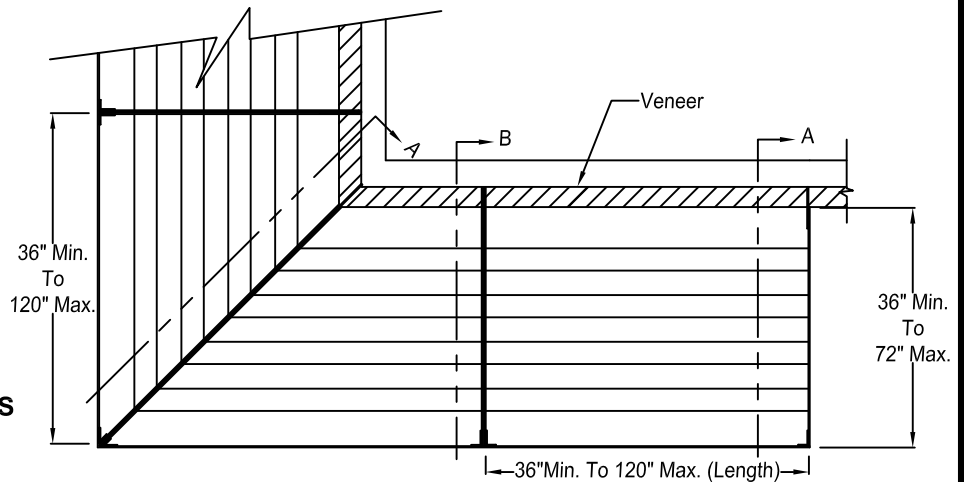
.25" Extruded Aluminum

FINISH:

mill aluminum (std.)

MAXIMUM SIZE:

Length 120" x Projection 72" (max.)



3 part specifications - see online at www.unitedenertech.com



Due to continuing research, United Enertech reserves the right to change specifications without notice.

QUANTITY	LENGTH	PROJECTION	H1	H2	H3	TAG



3005 South Hickory Street
 Chattanooga, Tennessee 37407
 Tel: (423) 698-7715
 Fax: (423) 698-6629
www.unitedenertech.com

CRIMSON SERIES

DRAWN BY: GDR	DATE: 1-12-10	REV. DATE: 1-11-13	REV. NO. 5	APPROVED BY: BGT	DWG. NO.: C-7
------------------	------------------	-----------------------	---------------	---------------------	-------------------------