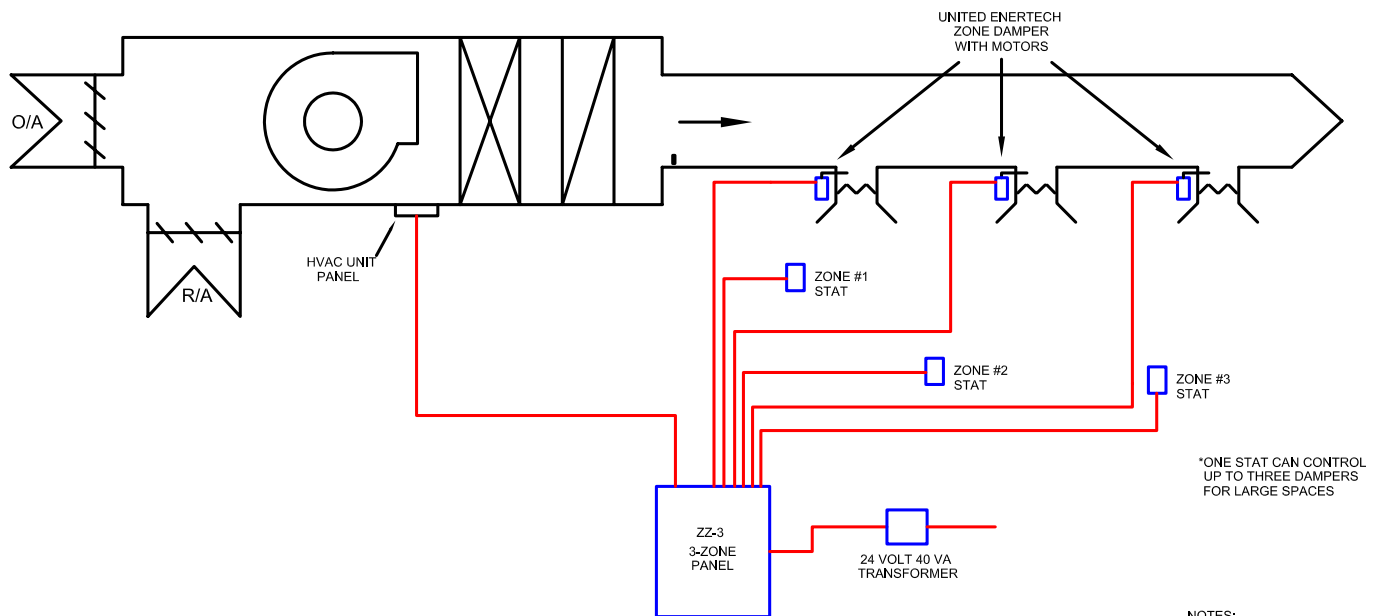


ZZ-3 ZONE CONTROL SYSTEM

The ZZ-3 is a residential / light commercial zone control system that allows a single heating / cooling unit to have up to 3 zones (9 optional). Each zone is controlled by its own space thermostat and motorized zone damper. If any of the zone thermostats call for heating or cooling, the zones not calling will have their dampers driven closed, and the zone (or zones) calling will have its damper remain open. The heating or cooling equipment will also be brought on at the same time. When all zone thermostats are satisfied, the heating or cooling equipment turns off and all zone dampers will return to the open position to allow for continuous air circulation.

If one of the zone thermostats is calling for heating and another zone thermostat is calling for cooling, the cooling thermostat will take priority and the system will operate in the cooling mode. When the thermostat is calling for cooling is satisfied, the system will change over and take care of the heating requirement. This is referred to as cooling priority / auto changeover.



*ONE STAT CAN CONTROL UP TO THREE DAMPERS FOR LARGE SPACES

NOTES:

- (1) USE BY-PASS DAMPER IF MORE THAN 40% OF AIR IS ZONED. USE MODEL RI-K OR OBD-K.
- (2) USE SAME T-STAT ON EACH ZONE IF POSSIBLE. IF PROGRAMMABLE T-STAT IS NEEDED, USE THE SAME ONE ON EACH ZONE AND SET TO SAME PROGRAM.

Panel Features (*System consists of control panel and transformer)

- Standard 3 zones (9 optional)
- Auto changeover
- Works with normal HVAC thermostats
- Convenient lights show system status
- Double fused system
- No special wire, no RFI problems
- Uses spring return or power open/close actuators
- Simple to wire and install
- Can be an easy retrofit or used for new construction

*Dampers with motors and t-stats are extra and can be supplied as needed.

Five HVAC style options:

1. ZZ-3 -HC Heat/Cool - conventional / auto change over
2. ZZ-3 -HCMS Multistage Heat/Cool - conventional / auto change over
3. ZZ-3 -HP Heat Pump manual change over
4. ZZ-3 -HPAC Heat Pump auto change over
5. ZZ-3 -HPMS Heat Pump multistage, auto change over

Job Name:	MODEL ZZ-3		
Location:	ZONE CONTROL SYSTEM (cooling priority)		
Architect:	Drawn By:	Date:	Rev. Date:
Engineer:	CLJ	2-12-04	10-3-06
Contractor:	Rev. no.:	Approved By:	Dwg. no.:
	6	JAS	J-6