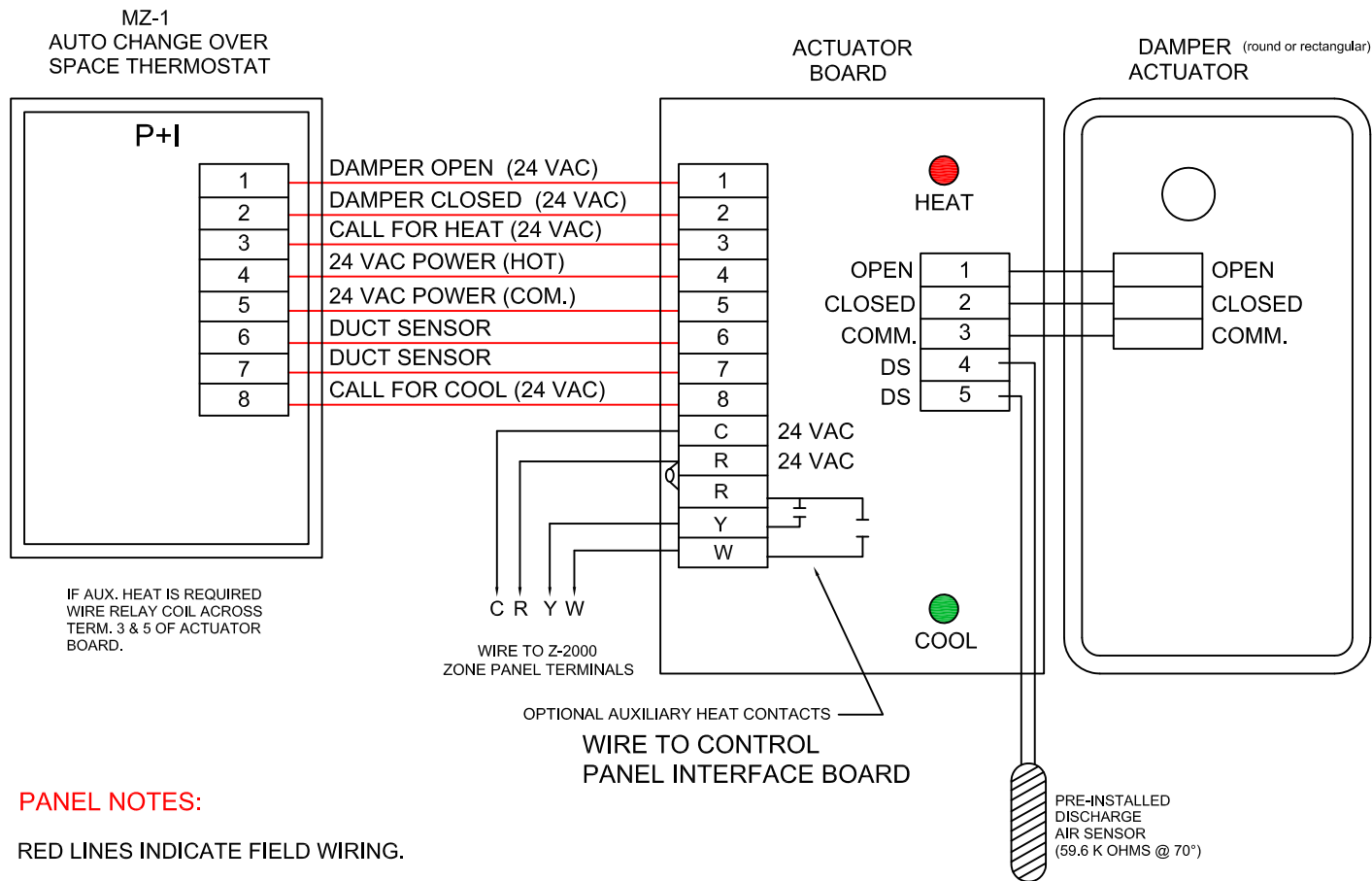


# ZZ-20 ZONE CONTROL SYSTEM

## THERMOSTAT AND DAMPER WIRING DIAGRAM



### PANEL NOTES:

RED LINES INDICATE FIELD WIRING.

USE STANDARD EIGHTEEN GAUGE THERMOSTAT WIRE.

RUN A THREE WIRE CABLE FROM THE PANEL TERMINALS (RYW) TO IT'S RESPECTIVE ZONE DAMPER ACTUATOR BOARD.

PANEL REQUIRES A 24 VAC 40 VA TRANSFORMER.

LOCATE DISCHARGE AIR SENSOR 3' DOWN STREAM IN TRUNK LINE.

"SPEED UP JUMPER" SHORTENS ALL THE TIME DELAYS ON THE CONTROL PANEL (USE FOR TESTING ONLY).

"NUMBER OF CALL REQUIRED RESISTOR" DETERMINES THE NUMBER OF ZONES THAT MUST BE CALLING IN ORDER FOR THE SYSTEM TO BRING ON THE HEATING OR COOLING EQUIPMENT.

TIME CLOCK CONTACTS ARE CLOSED DURING OCCUPIED CYCLE.

### DAMPER NOTES:

THE ACTUATOR BOARD IS LOCATED ON THE SIDE OF THE DAMPER ACTUATOR AND IS FACTORY WIRED.

EACT ZONE DAMPER REQUIRES 4.0 VA

THE SPACE THERMOSTAT WILL CONTROL UP TO 3 DAMPER MOTORS IN PARALLEL.

IF DISCHARGE AIR TEMPERATURE AT THE DAMPER IS WARMER THAN 72° F THE ZONE DAMPER OPERATES AS A HEATING DAMPER AND VICE VERSA FOR COOLING.

THE SPACE THERMOSTATS HAVE PRESET LIMITS SET AT 68° F AND 76° F AND SHOULD NOT BE CHANGED.