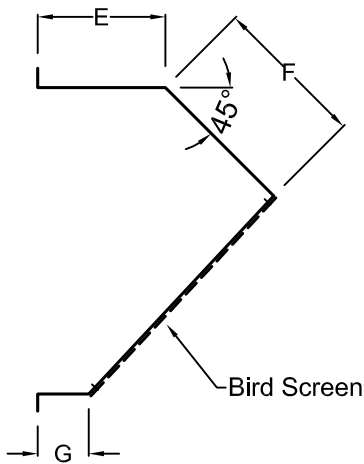
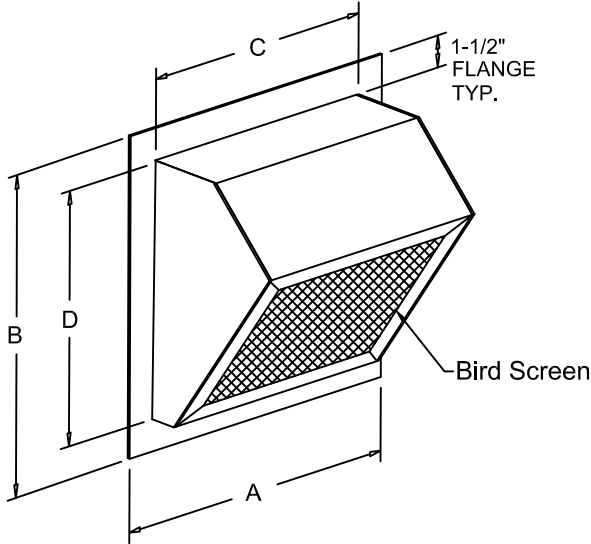


WALL HOOD



Standard Construction

Hood: 18 ga. Galvanized Steel
 Birdscreen: 1/2" x 1" (.051" expanded aluminum)
 Finish: Standard Mill

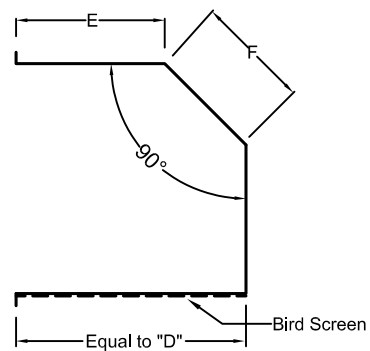
Options:

- Aluminum Construction (.090")
- Stainless Steel Construction (18 ga.)
- Powder Coated (baked at 410°)
 - Polyester
 - Fluoropolymer 70%
- 90° Hood (see detail)
- Dampers - with or without actuators
- Filter racks
- Security bars

Qty.	C	D	A & B	E	F	G	Tag

A & B include 1-1/2" flange - note if otherwise.
 E, F, & G mfg. std. - fill in blanks for special construction

90° HOOD OPTION:



Job Name:	<input type="checkbox"/> MODEL WH		
Location:			
Architect:	DRAWN BY: CLJ	DATE: 9-17-01	REV. DATE: 01-08-09
Engineer:	REV. NO. 5	APPROVED BY: BGT	DWG. NO.: F-11
Contractor:			