

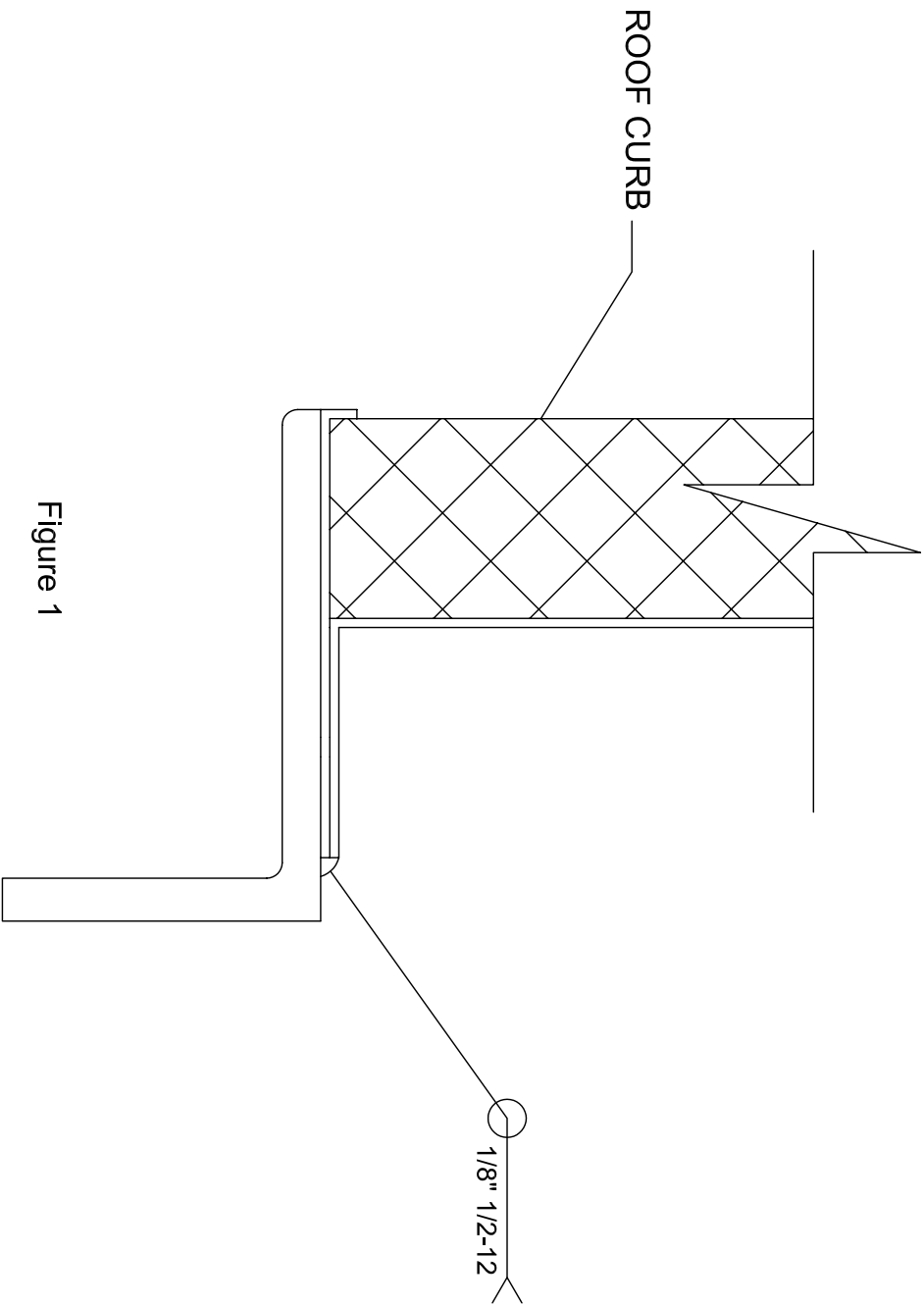
Structural roof curb installed on a minimum of two bar joists eliminates angle framing.

UE UCC-3

Date: 12-2-04

Drawn By: C. Jackson





INSTALLATION INSTRUCTIONS

(Under Roof)

UCC-3 welded to structure

Date: 12-2-04

Drawn By: C. Jackson



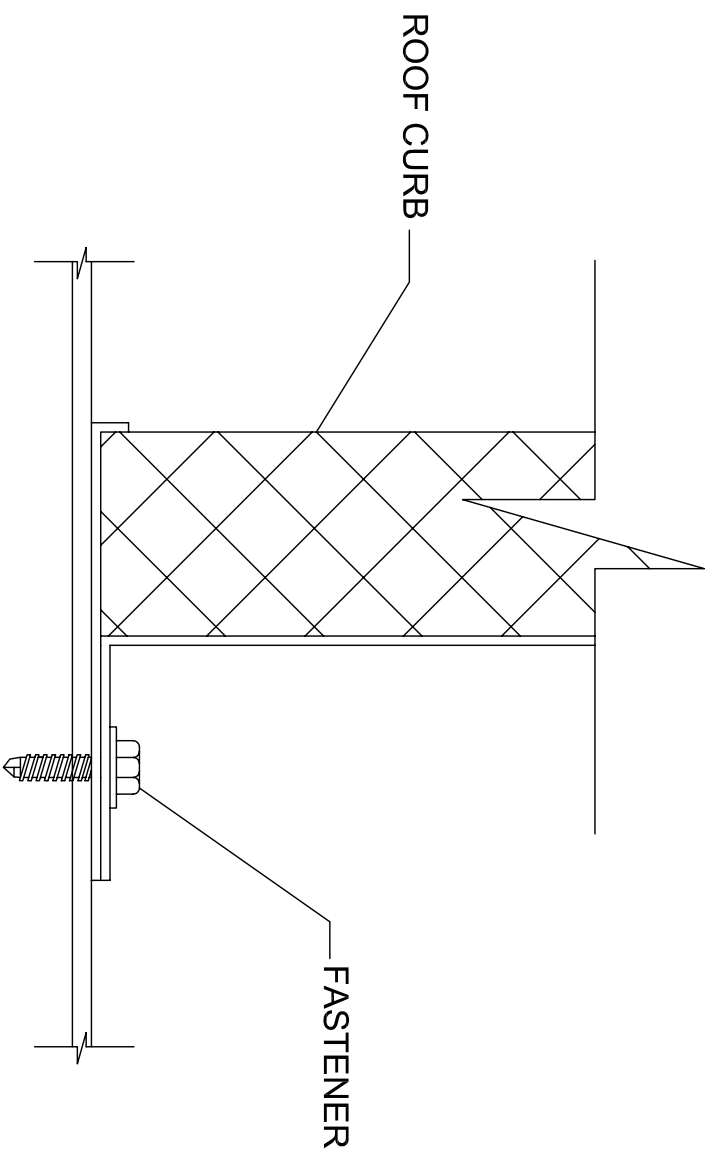


Figure 2

INSTALLATION INSTRUCTIONS

UCC-3 Mechanically fastened to structure

Date: 12-2-04

Drawn By: C. Jackson



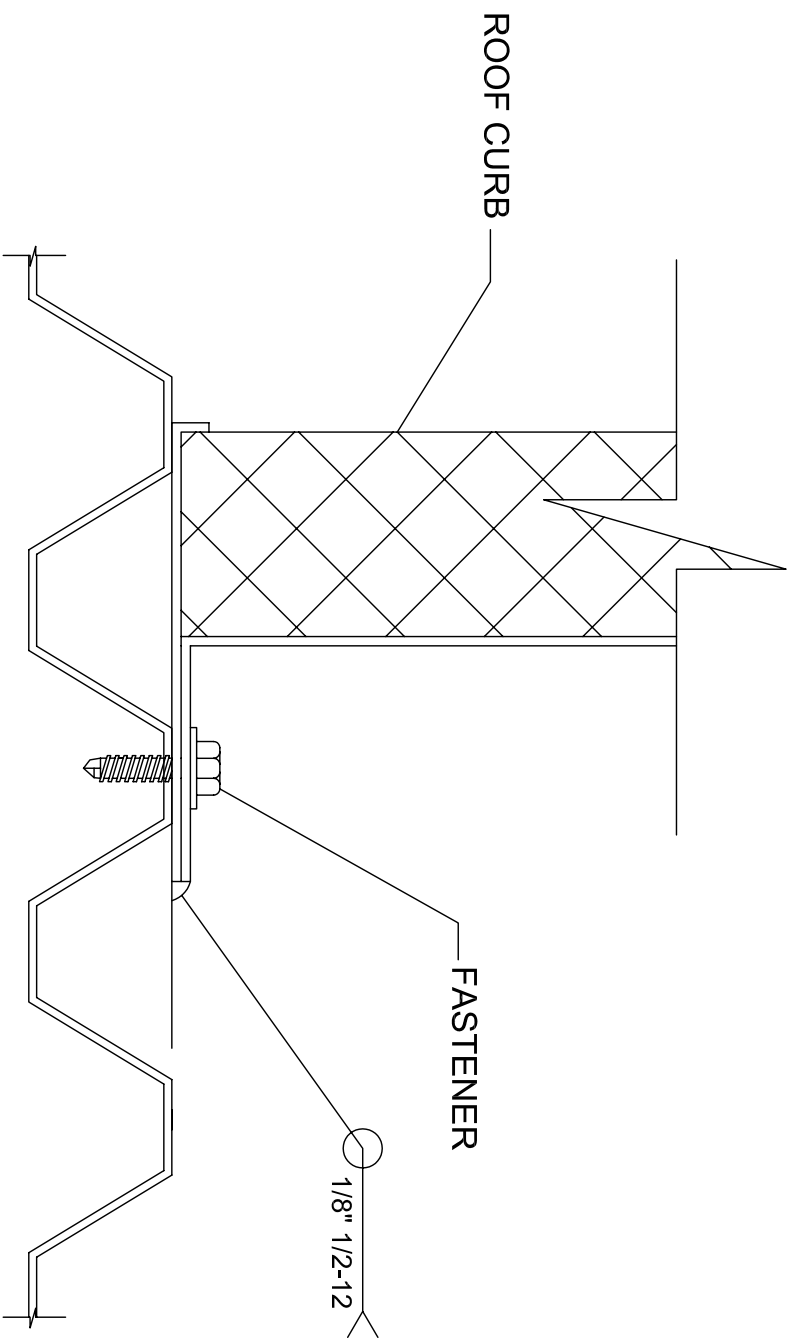


Figure 3

INSTALLATION INSTRUCTIONS

UCC-3 welded or mechanically fastened to roof deck

Date: 12-2-04

Drawn By: C. Jackson



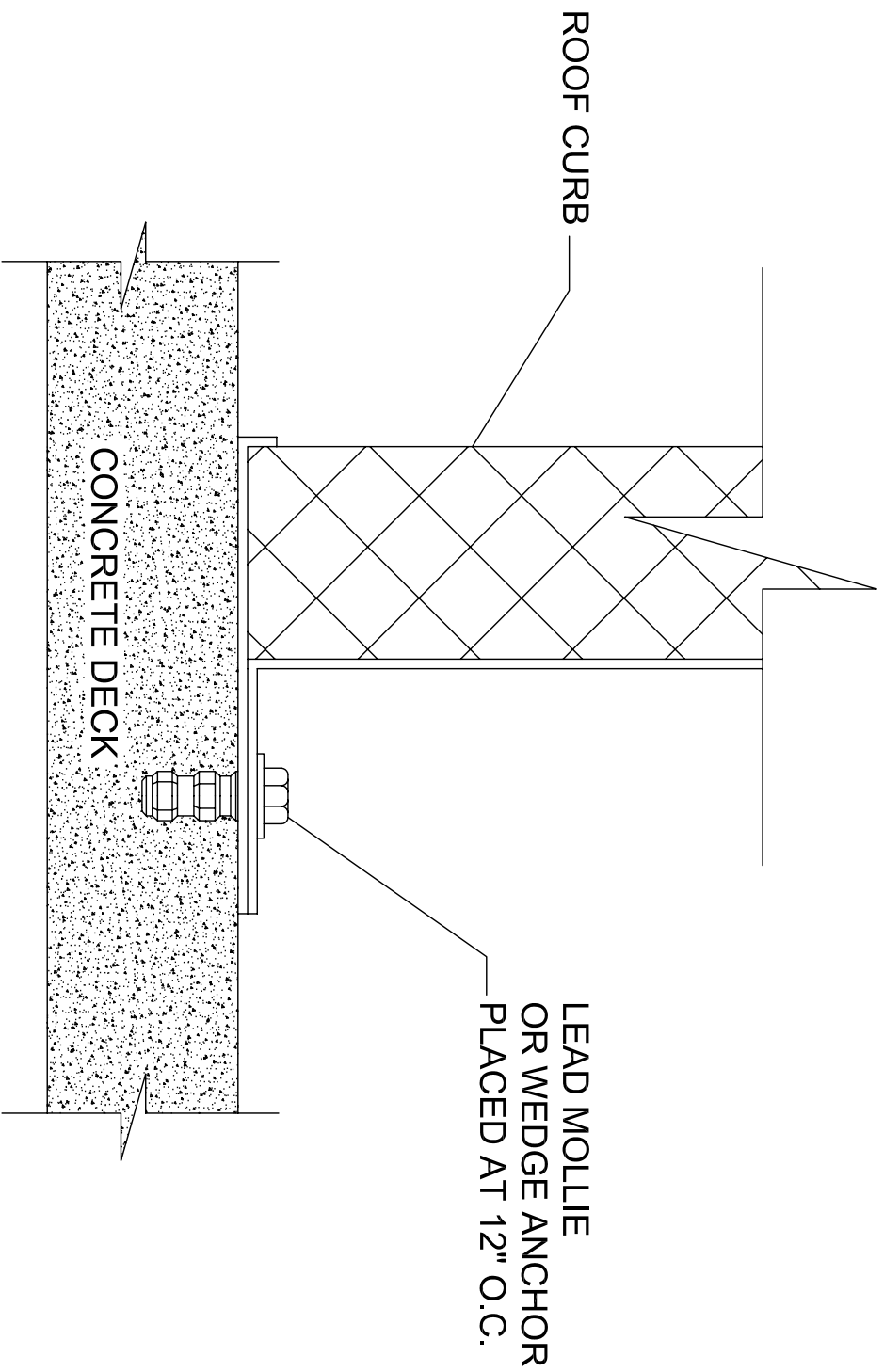


Figure 4

Notes:

UE
CURB MECHANICALLY FASTENED TO CONCRETE

Date: 10-14-03

Drawn By: C. Jackson

Approved By:

