

Suggested Specifications:

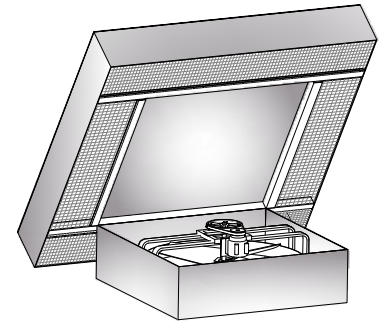
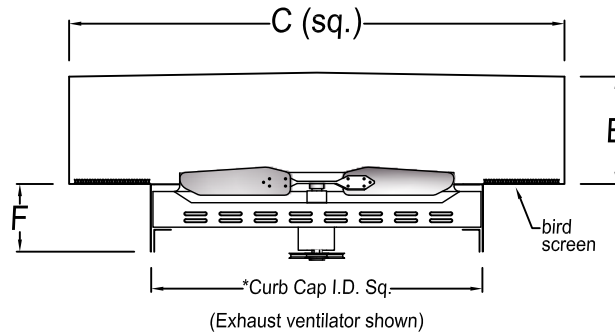
Furnish and install for roof intake or exhaust ventilation applications which have high air flow capacities.

Standard Features:

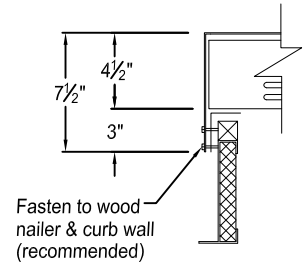
- Heavy Gauge Aluminum hood & housing
- 12 ga galvanized inner curb cap
- Belt tensioner 24" - 48-5
(larger than 1-1/2" h.p. motors have standard stationary motor and bearing mounts)
- (ODP) 60 hz motor
- 1750 RPM motor
- Adjustable motor pulley
- Intake or Exhaust (Specify)
- Hinged hood for fan access
- 1/2" x 1" flattened alum. birdscreen
- Mill finish

Options:

- Explosion resistant motor
- Totally enclosed motor
- Powder coat finish



(Intake ventilator shown)



Fan blade size (dia.)	Model	C (sq.)	E	F	Curb cap I.D. (sq.)	H.P.	Fan RPM	Volts	Run Amps	CFM vs. Static Pressure		Sones
										0.000	0.125	
24"	RH-24-1	40"	14"	7-1/2"	30-1/2"	1/3	705	115	6.5	3,690	3,204	12
30"	RH-30-2	48"	14"	7-1/2"	34-1/2"	1/2	742	115	11	8,100	7,290	19
30"	RH-30-3	48"	14"	7-1/2"	34-1/2"	3/4	752	115/230	13/6.5	9,000	8,246	20
36"	RH-36-2	57"	14"	7-1/2"	40-1/2"	1/2	550	115	11	9,360	8,550	11
36"	RH-36-3	57"	14"	7-1/2"	40-1/2"	3/4	540	115/230	13/6.5	9,990	9,180	12.5
36"	RH-36-4	57"	14"	7-1/2"	40-1/2"	1	555	115/230	11/5.5	10,890	10,035	15
42"	RH-42-2	65"	14"	7-1/2"	46-1/2"	1/2	500	115	11	11,700	10,980	15.2
42"	RH-42-3	65"	14"	7-1/2"	46-1/2"	3/4	565	115/230	13/6.5	13,140	12,330	18
42"	RH-42-4	65"	14"	7-1/2"	46-1/2"	1	475	115/230	11/5.5	14,310	13,500	19
42"	RH-42-5	65"	14"	7-1/2"	46-1/2"	1-1/2	450	230/460	5.6/2.8	15,390	14,400	20
48"	RH-48-3	74"	14"	7-1/2"	52-1/2"	3/4	455	115/230	13/6.5	17,010	15,885	15.9
48"	RH48-4	74"	14"	7-1/2"	52-1/2"	1	470	115/230	11/5.5	18,450	16,380	19
48"	RH-48-5	74"	14"	7-1/2"	52-1/2"	1-1/2	480	*230/460	5.6/2.8	18,720	16,650	19.7
48"	RH-48-6	74"	14"	7-1/2"	52-1/2"	2	605	*230/460	6.4/3.2	18,990	17,190	22
48"	RH-48-7	74"	24"	7-1/2"	52-1/2"	3	610	*230/460	8.4/4.2	21,330	19,980	24
54"	RH-54-6	78"	24"	7-1/2"	62-5/8"	2	615	*230/460	6.4/3.2	22,950	21,150	20
54"	RH-54-7	78"	24"	7-1/2"	62-5/8"	3	620	*230/460	8.4/4.2	27,090	25,920	32
54"	RH-54-8	78"	24"	7-1/2"	62-5/8"	5	650	*230/460	13.8/6.9	33,480	33,120	49
60"	RH-60-6	80"	24"	7-1/2"	68-5/8"	2	611	*230/460	6.4/3.2	27,180	25,920	26
60"	RH-60-7	80"	24"	7-1/2"	68-5/8"	3	610	*230/460	8.4/4.2	30,600	28,980	29
60"	RH-60-8	80"	24"	7-1/2"	68-5/8"	5	650	*230/460	13.8/6.9	38,790	37,080	44

The sound ratings shown are loudness values in fan sones at 5 ft. (1.5m) in a hemispherical free field calculated per AMCA standard 301
 * All three phase

QTY.	MODEL	TAG	ACCESSORIES

Project:	<input type="checkbox"/> Model RH series		
Architect:	DRAWN BY: CLJ	DATE: 10-17-07	REV. DATE:
Engineer:	REV. NO.	APPROVED BY: BGT	DWG. NO.: L-6
Contractor:			