

**Ceiling Damper Installation for Wood Framed Joist with Gypsum Ceilings  
Model C-RD-HC**

**Application:**

UE Ceiling Radiation Dampers have been tested, approved, and classified by Underwriter's Laboratories for use in UL Fire Resistance Floor-Ceiling and Roof-Ceiling Designs as listed in the UL Fire Resistance Directory. These damper have been approved for, but not limited to, wood joist systems incorporating gypsum wall board ceilings. Designs specifically tested pertain to UL Designs L501, L502, L503, L506, L507, L508, L512, L514, L516, L517, L519, L522, L523, L533, L537, and L545 and ULC Design M500, but are not limited to the aforementioned designs. New UL Ceiling designs are constantly being added. Refer to the UL Fire Resistance Directory for current approved listings. United Energetech ceiling dampers may be substituted into any UL design which incorporates a hinge door type damper as outlined in the Fire Resistance Directory

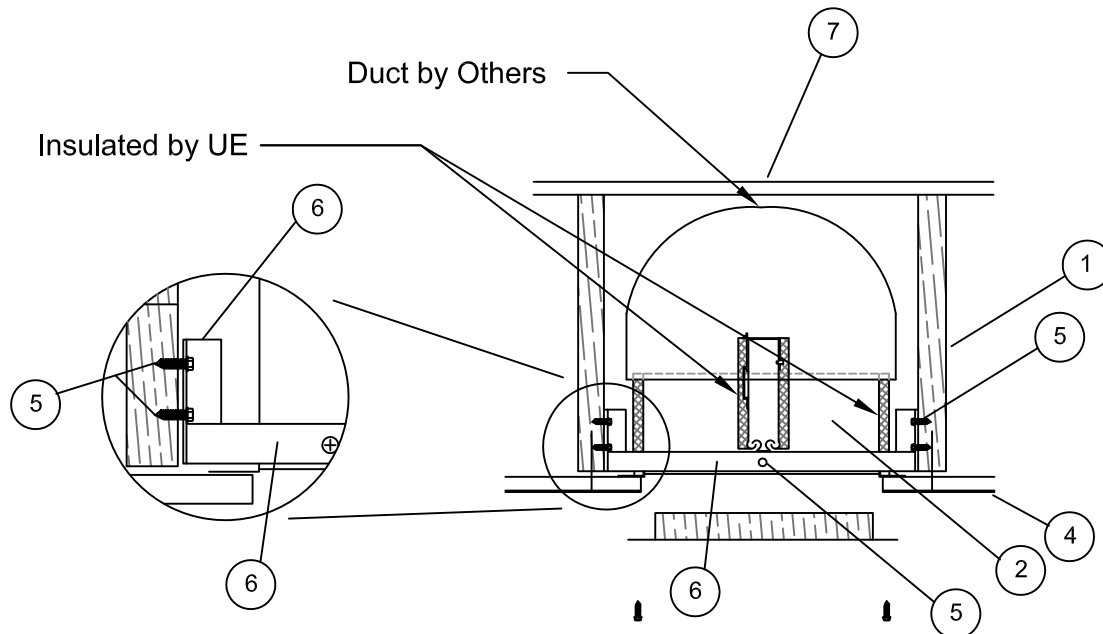


**General Notes:**

- A. Fasteners must be placed, so not to interfere with the operation of the damper
- B. Classified flex duct must be attached with steel clamps, plastic straps, or 18 swg min. steel wires
- C. The mounting angles (#8 Below) are to be placed such that 1/2" leg rests on the ceiling materials
- D. The maximum size damper approved for this installation is 15" diameter

**Components:**

- 1. Wood Frame member or joist
- 2. Ceiling damper
- 3. Grille
- 4. Gypsum wallboard per UL design number
- 5. #8 screw (min)
- 6. 1"x1/2"x20 ga steel mounting angle
- 7. Floor/Roof



Job Name:

Location:

Architect:

Engineer:

Contractor:

**Model C-RD-HC**

DRAWN BY: CJ	DATE: 11-9-18	REV. DATE:	REV. NO.	APPROVED BY: CLJ	DWG. NO.: <b>P-95B</b>
-----------------	------------------	------------	----------	---------------------	---------------------------