

**Application and Design:**

The United Enertech Model NLS (No Loss Stackhead) was developed for vertical discharge of roof exhaust fans.

**Standard Construction:**

- 6" thru 10" Diameter : 18 ga galvanized steel
  - 12" thru 20" Diameter: 16 ga galvanized steel
  - 20" thru 24" Diameter: 14 ga galvanized steel
- Note: Consult factory for larger sizes

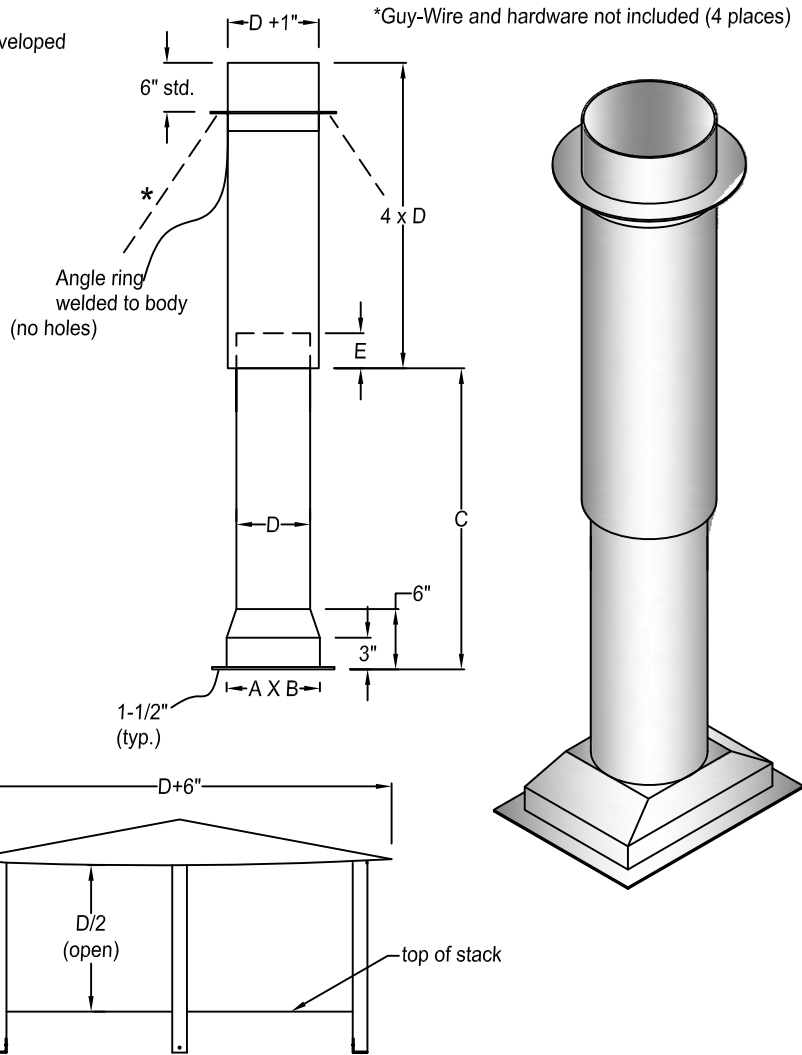
Maximum Velocity = 5000 fpm

Note: E Dimension

- 6" thru 14" diameter, E = 6"
- 16" thru 20" diameter, E = 9"
- 22" thru 24" diameter, E = 12"

**Options:**

- Aluminum Construction
- 304 Stainless Steel Construction
- 316 Stainless Steel Construction
- Baked Powder Polyester coating
- Baked Powder Epoxy coating
- Heresite Phenolic Coating (brown)
- China Cap (Rain Shield)



**China Cap (optional)**

QTY	TAG	CFM	A	B	C	D	E

Due to continuing research, United Enertech reserves the right to change specifications without notice.

Job Name:	<input type="checkbox"/> <b>MODEL NLS (No Loss Stackhead)</b>		
Location:			
Architect:	DRAWN BY: CLJ	DATE: 6-29-06	REV. DATE: 9-17-12
Engineer:	REV. NO. 6	APPROVED BY: BGT	DWG. NO.: <b>B-15</b>
Contractor:			