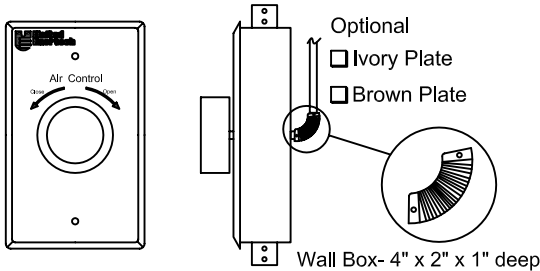


Manual Remote Controllers

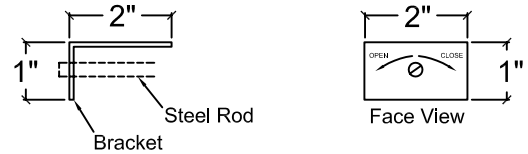
The United Energetech "Remote System" was developed to provide personal convenience and a positive means of individual room or zone temperature control. The system is composed of a steel or alum. rod with universal joints at turns, four different controllers to choose from, and several different damper arrangements.

CONTROLLERS

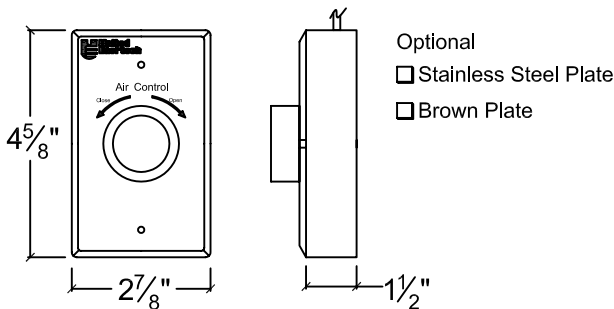
- Model J900** (wall recess)
 Stainless Steel Cover Plate (Standard)



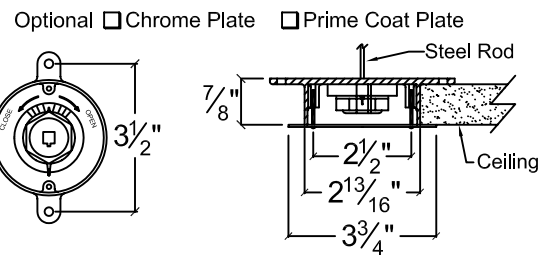
- Model J200** (mounted on diffuser or duct)



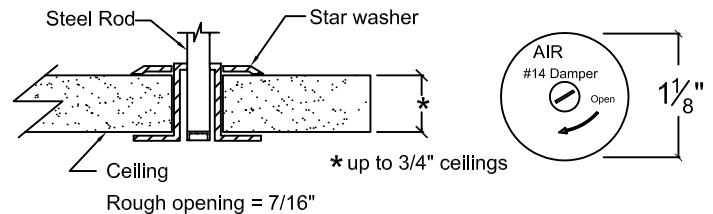
- Model J900-SM** (surface Mtd.)
 Ivory Plate (Standard)



- Model J300** (ceiling recess Mtd.)
 Polished Zinc Cover Plate (Standard)



- Model J400** (architect's choice)
 Constructed of Nylon 6/6
 Includes screwdriver slotted rod



Job Name:	DRAWN BY:	DATE:	REV. DATE:
Location:	CLJ	10-15-99	7-11-06
Architect:	REV. NO.	APPROVED BY:	DWG. NO.:
Engineer:	9	BGT	D-5
Contractor:			