

Model: UES-3

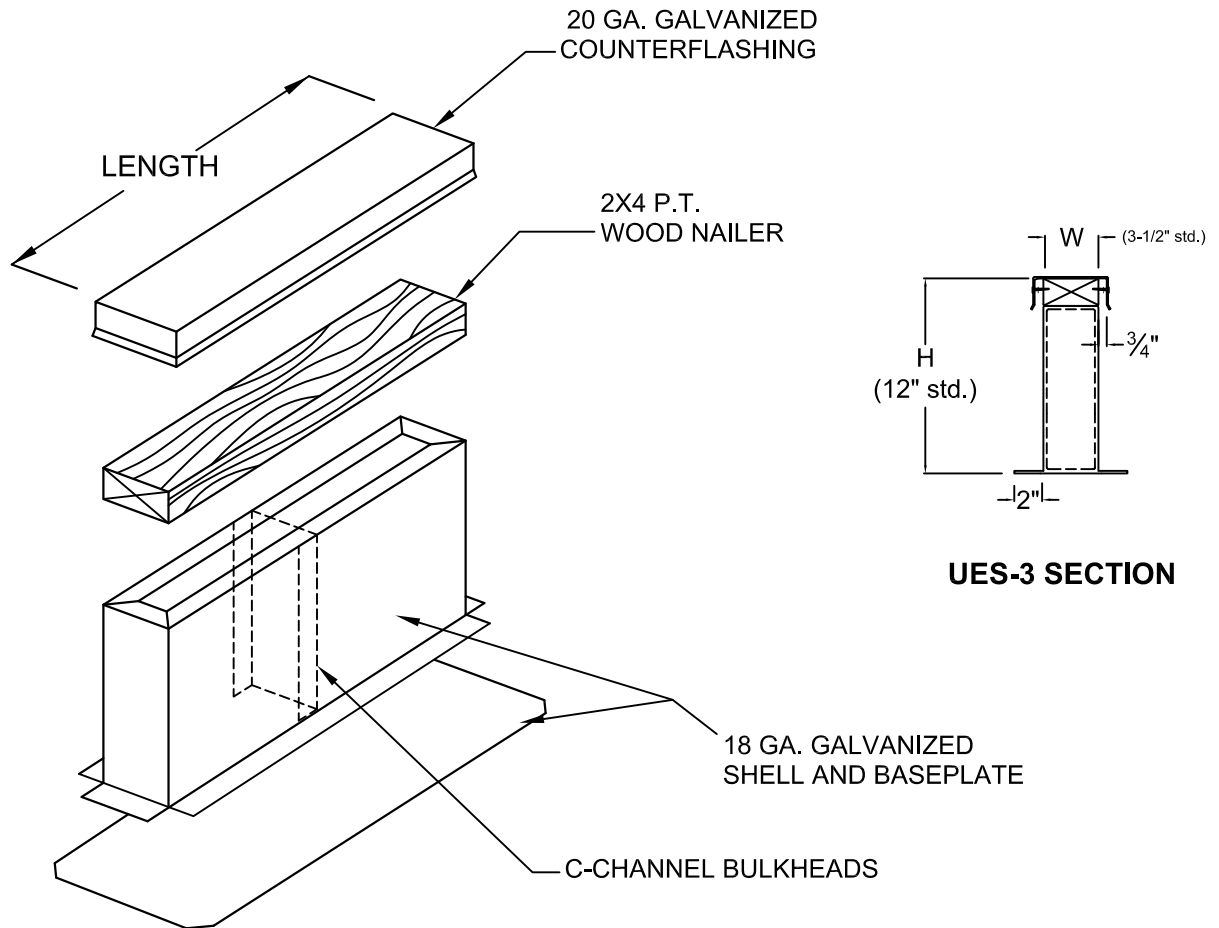
Equipment Support

Additional Options:

- 1.
- 2.
- 3.
- 4.

Standard Construction:

18 ga. Galvanized steel shell and baseplate; 12" minimum height,
 2 x 4 pressure treated wood nailer (std.); C-channel bulkheads as required;
 Fully welded one piece construction, 20 ga galvanized counterflashing
 All welds prime painted after fabrication.



Due to continuing research, United Enertech reserves the right to change specifications without notice.

Qty.	LENGTH	H	W	Roof Slope	Tag- Description
DRAWN BY: CLJ	DATE: 8-25-06	REV. NO. 4	REV. DATE: 1-4-11	APPROVED BY: CBY	DWG. NO.: M-7