

**Model: UES-1**

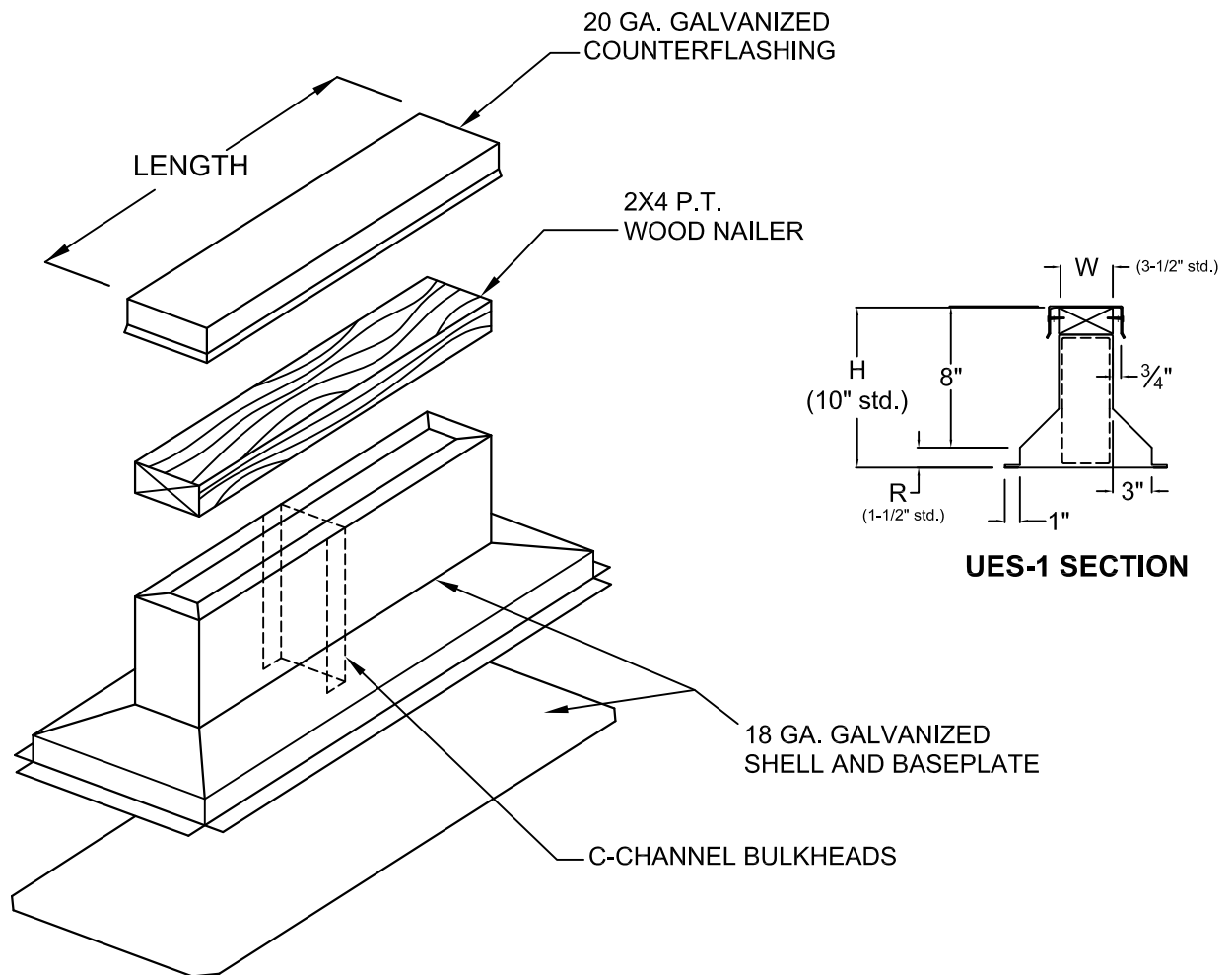
Equipment Support

Additional Options:

- 1.
- 2.
- 3.
- 4.

**Standard Construction:**

18 ga. Galvanized steel shell and baseplate; 10" minimum height,  
 2 x 4 pressure treated wood nailer (std.); raised cant; C-channel bulkheads as  
 required; Fully welded one piece construction, 20 ga galvanized counterflashing  
 All welds prime painted after fabrication.



NOTE: Due to continuing research, United Energetech reserves the right to change specifications without notice.

Qty.	LENGTH	H	W	R	Roof Slope	Tag- Description

DRAWN BY: CLJ	DATE: 8-9-06	REV. NO. 5	REV. DATE: 12-23-10	APPROVED BY: CBY	DWG. NO.: <b>M-5</b>
------------------	-----------------	---------------	------------------------	---------------------	-------------------------