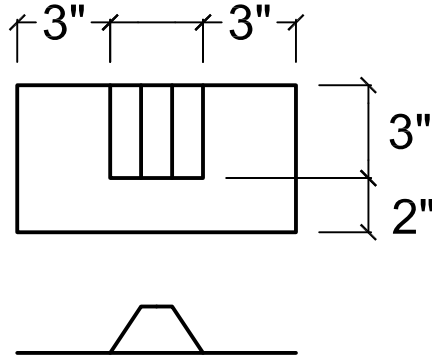
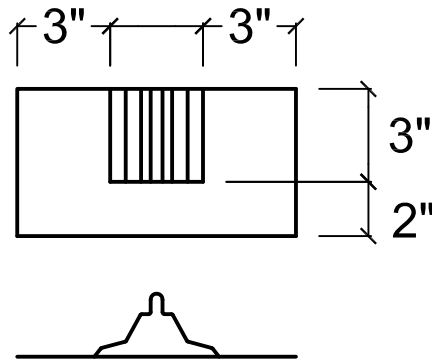


Under Plug
 Qty. _____



Match Roof Panel: _____

Over Cap
 Qty. _____



Match Roof Panel: _____

Job Name:	DRAWN BY: CLJ	DATE: 5-9-06	REV. DATE: 1-5-11
Location:	REV. NO. 2	APPROVED BY: CBY	DWG. NO.: M-39
Architect:			
Engineer:			
Contractor:			