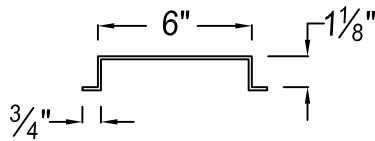


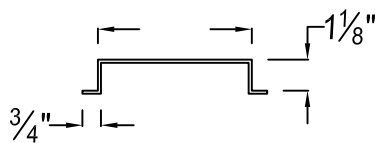
Support Framing System for 1" Thermal Block Insulated Roof

Standard Construction:

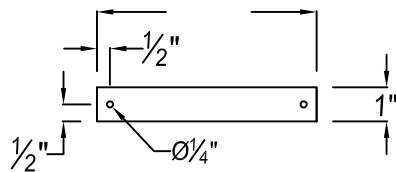
14 ga. Galvanized steel



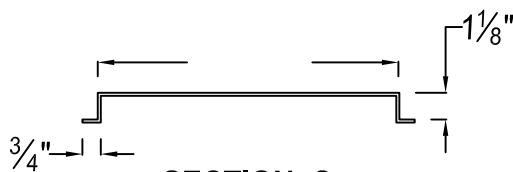
SECTION A



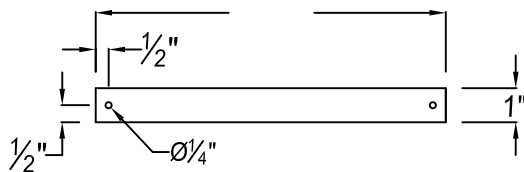
SECTION B



LOWER END PLATE

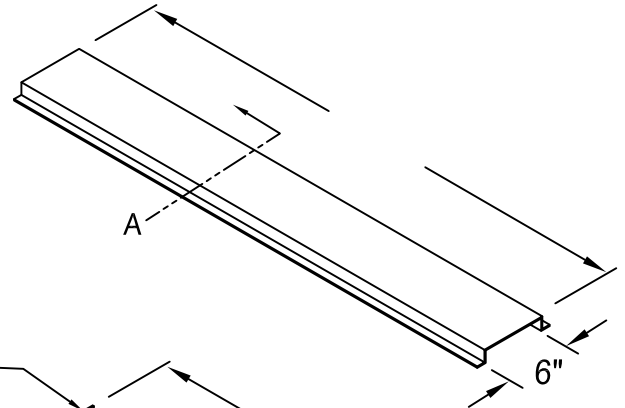


SECTION C

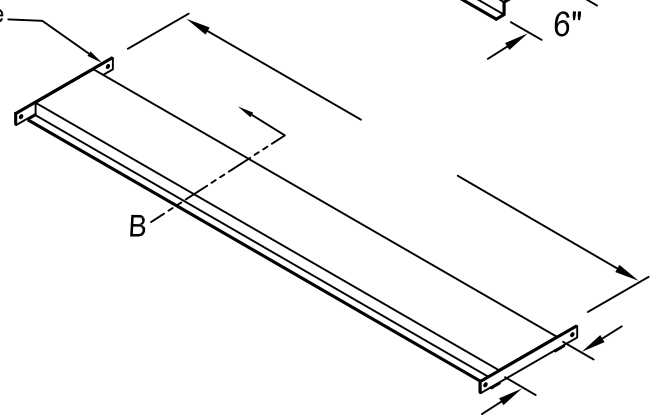


UPPER END PLATE

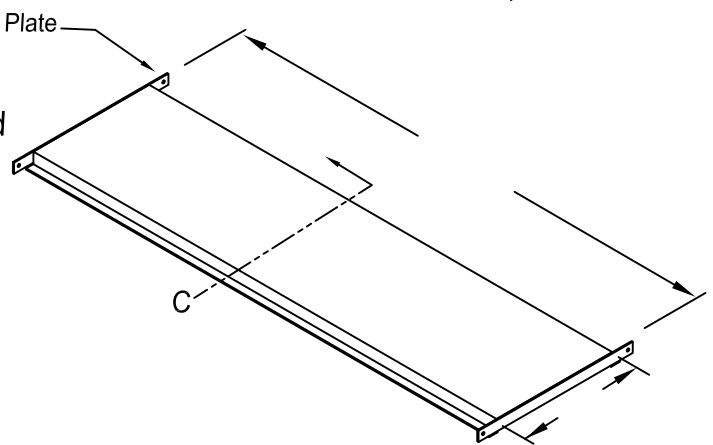
Side
 Support
 Channel



Lower end
 Support
 Channel



Upper end
 Support
 Channel



Qty.	Support Type	Tag- Description
	Side	
	Lower End	
	Upper End	
DRAWN BY: CLJ	DATE: 8-29-06	REV. NO. 2
		REV. DATE: 1-5-11
		APPROVED BY: CBY
		DWG. NO.: M-38