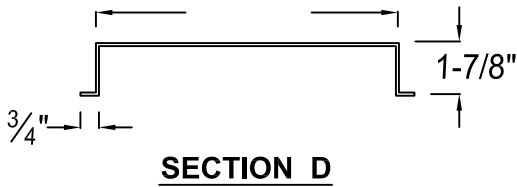
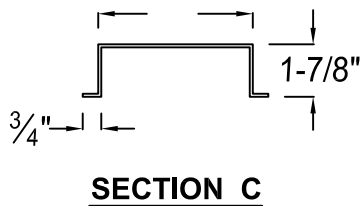
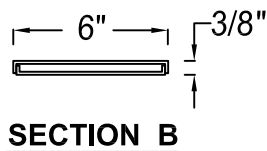
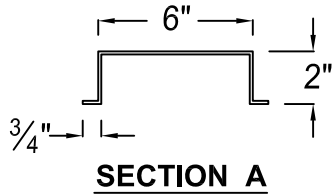


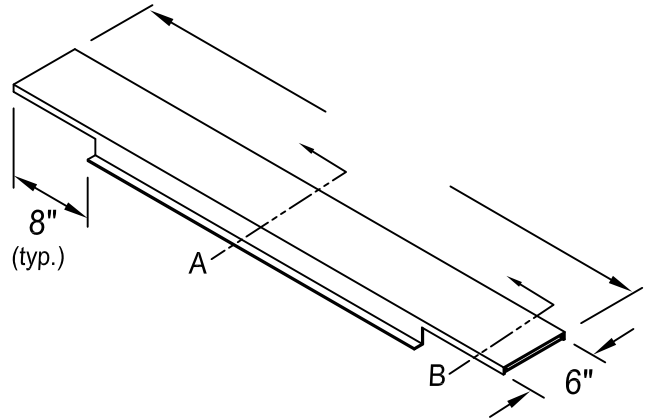
Support Framing System for Insulated Blanket Roof

Standard Construction:

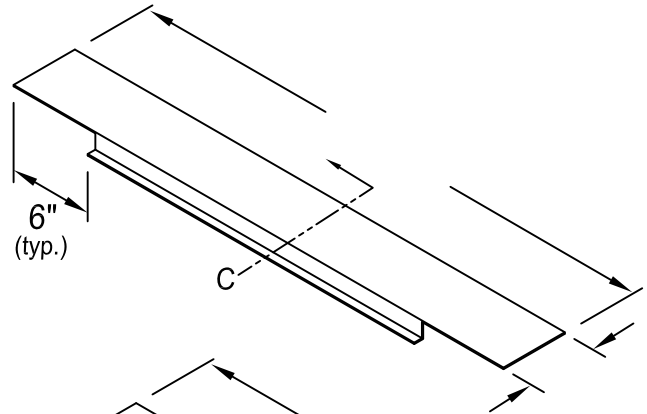
14 ga. Galvanized steel



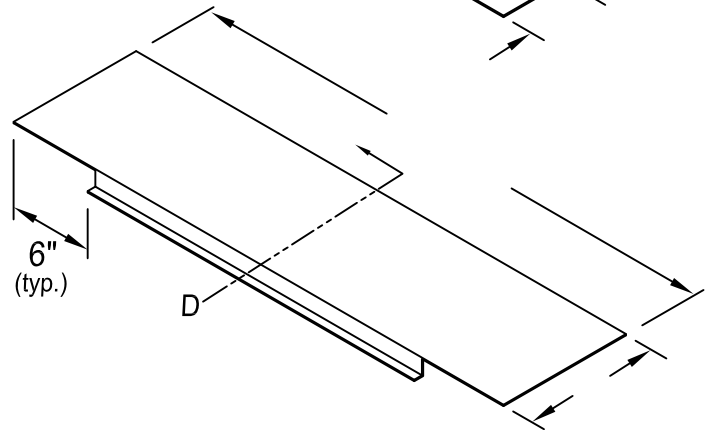
Side Support Channel



Lower end Support Channel



Upper end Support Channel



Qty.	Support Type	Tag- Description
	Side	
	Lower End	
	Upper End	
DRAWN BY: CLJ	DATE: 8-29-06	REV. NO. 3
		REV. DATE: 1-5-11
		APPROVED BY: CBY
		DWG. NO.: M-37