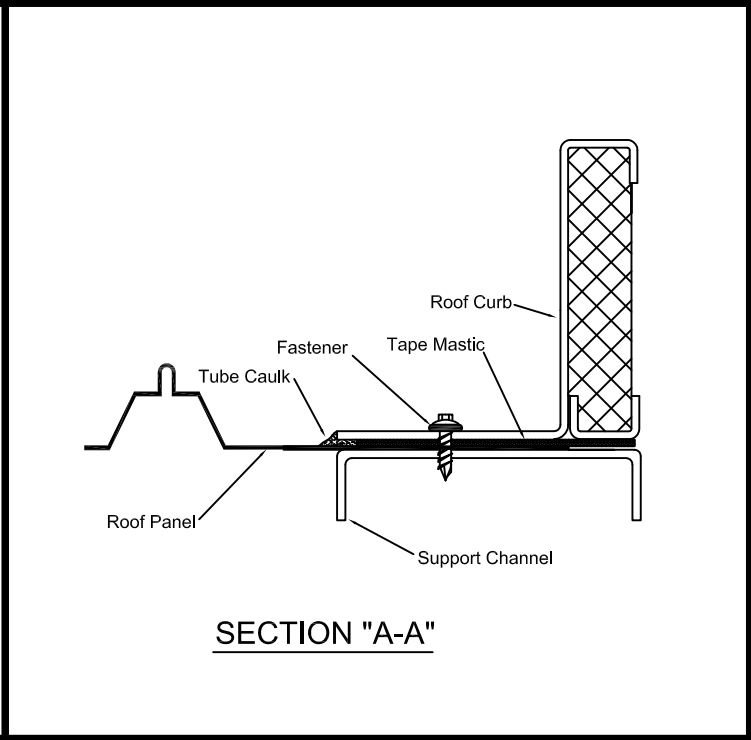
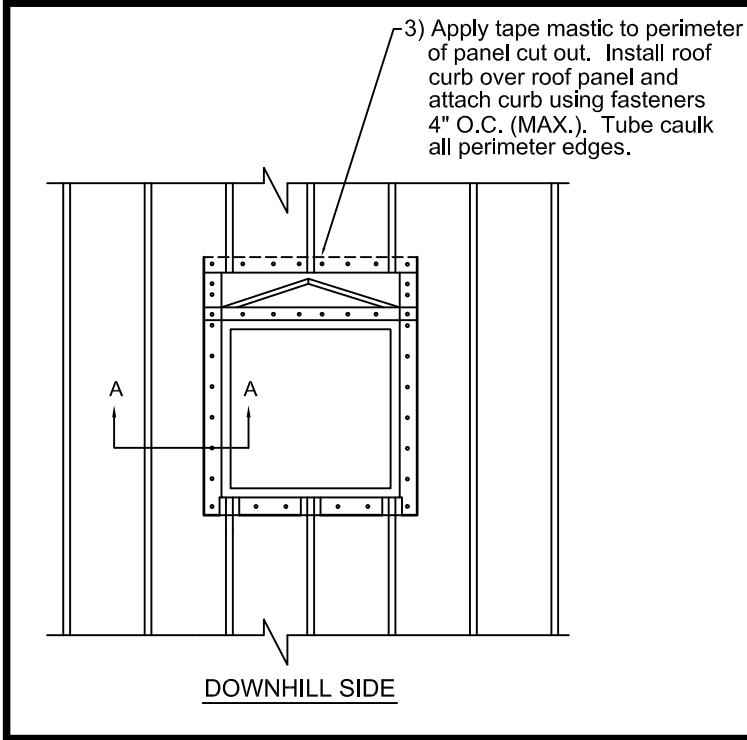
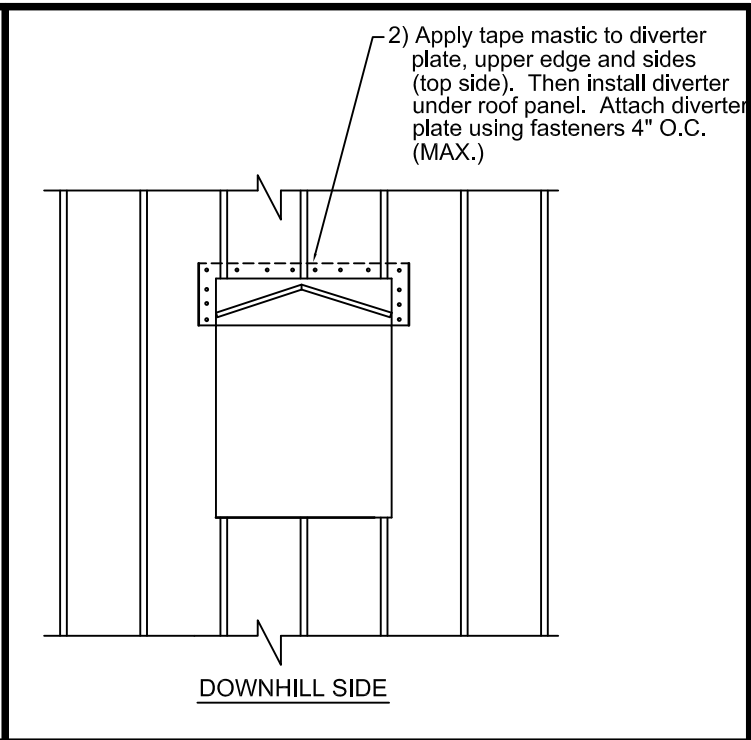
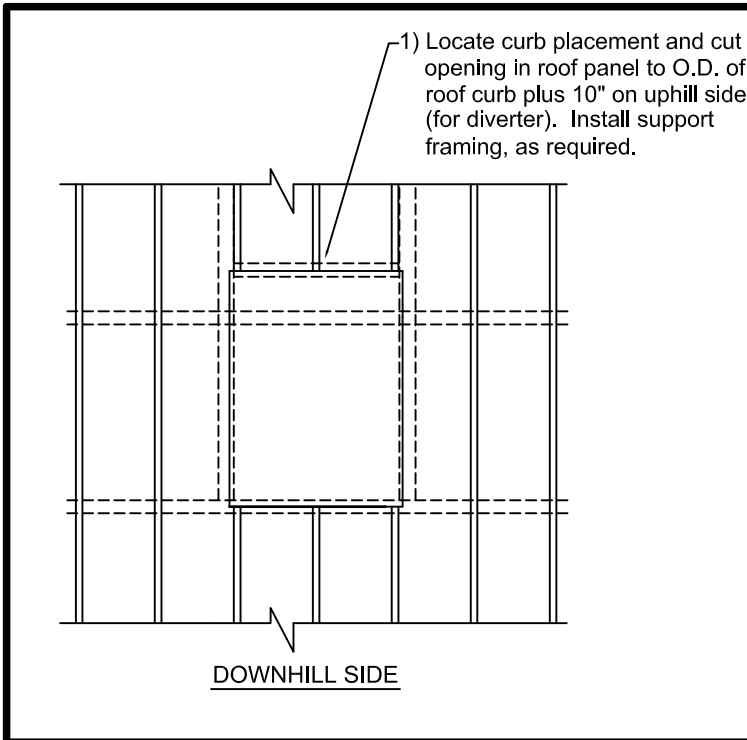


Metal Building Roof Curb



Job Name: _____

Location: _____

Architect: _____

Engineer: _____

Contractor: _____

<input type="checkbox"/> MODEL UMB-8 (2-piece) w/integral rib closures <small>(For Installation on Completed Roof)</small> <small>Front flange under roof panel</small> <small>Rear flange & sides over roof panel</small>		
DRAWN BY: CLJ/SRB	DATE: 5-19-06	REV. DATE: 1-5-11
REV. NO. 4	APPROVED BY: BGT	DWG. NO.: M-36