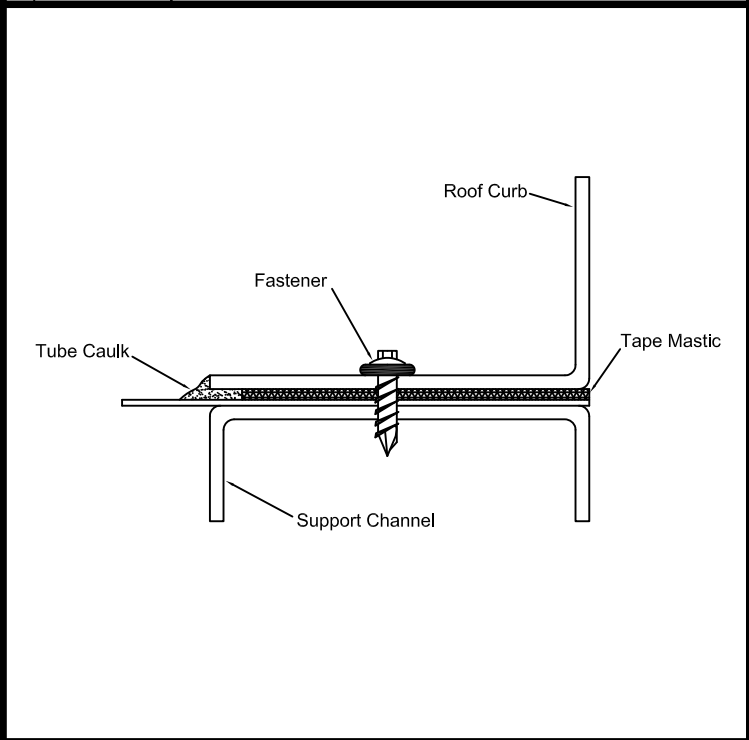
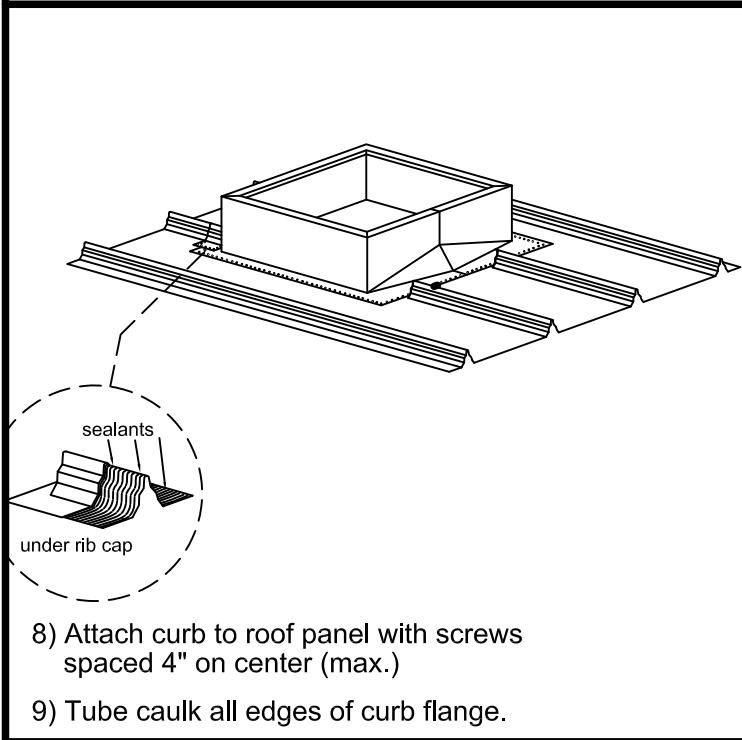
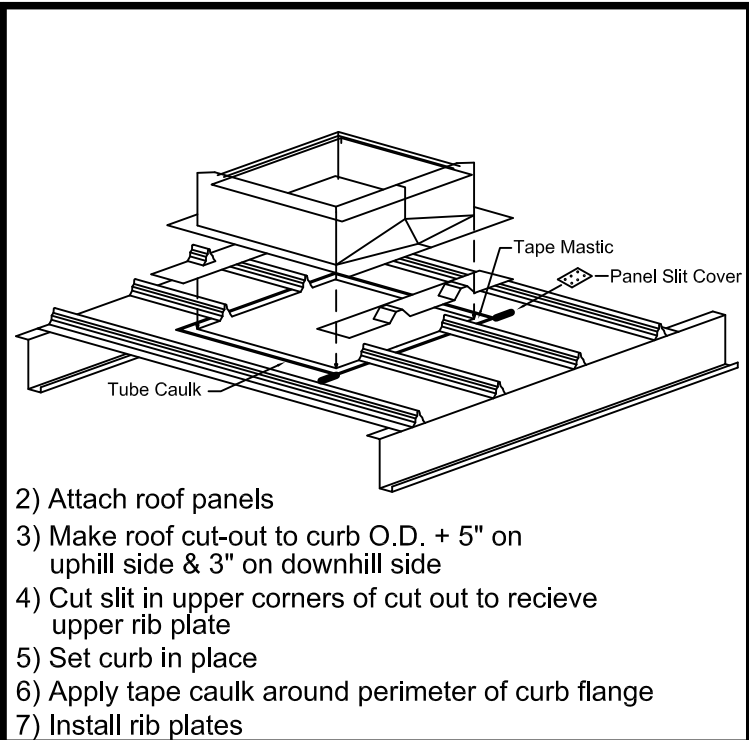
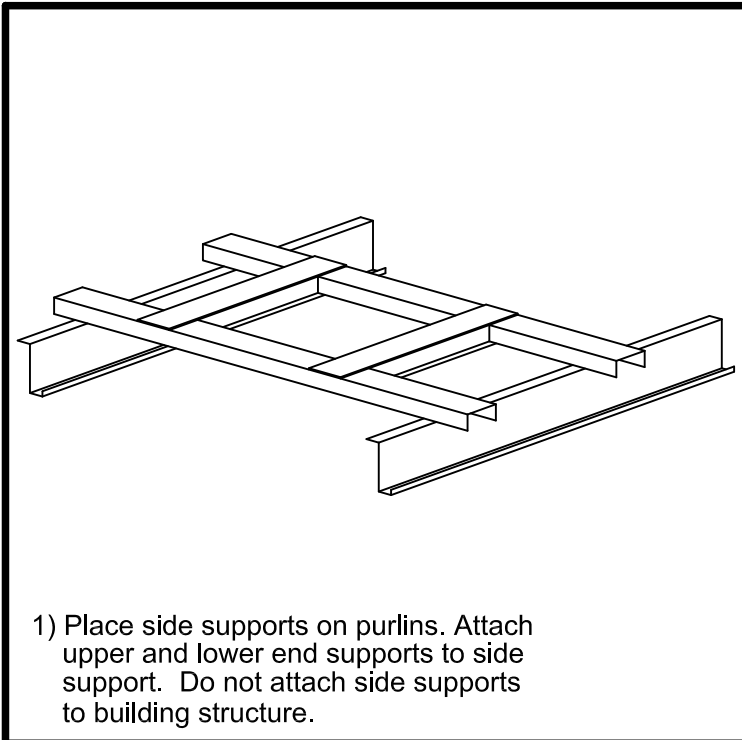


**Metal Building Roof Curb**



Job Name:  
 Location:  
 Architect:  
 Engineer:  
 Contractor:

**MODEL UMB-6**  
 Under/Over Installation

DRAWN BY: CLJ/SRB	DATE: 5-19-06	REV. DATE: 1-5-11
REV. NO. 4	APPROVED BY: BGT	DWG. NO.: <b>M-32</b>