

**Conventional Roof Curb**

**Model: UCC-3**

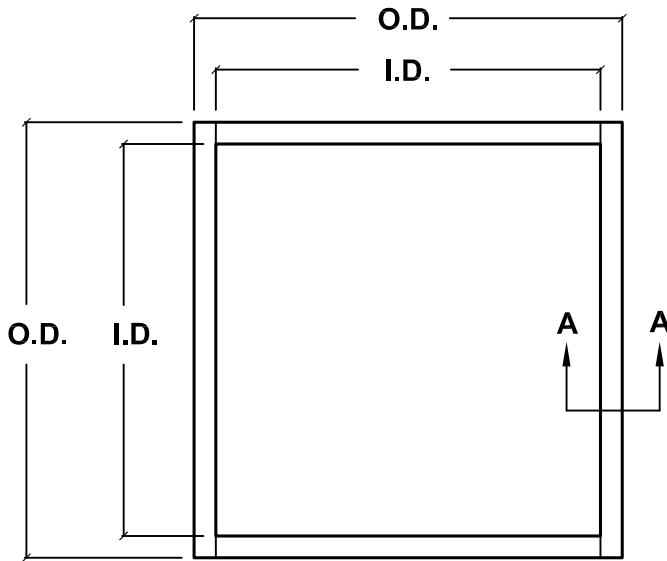
Conventional Roof Curb

Additional Options:

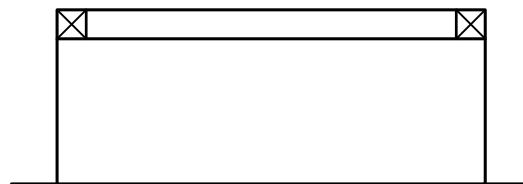
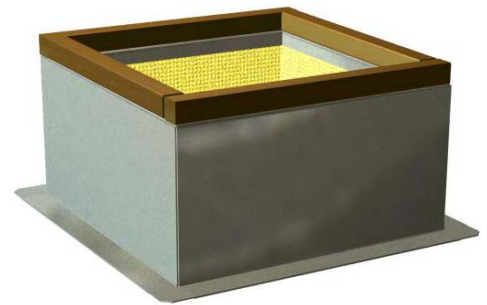
- 1.
- 2.
- 3.
- 4.

**Standard Construction:**

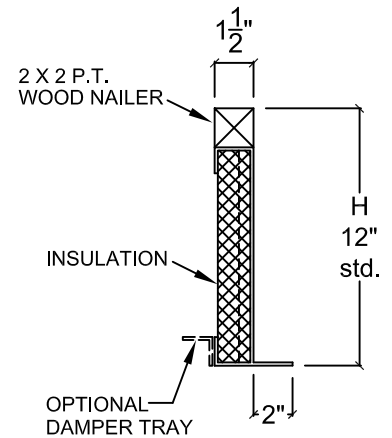
One-piece curb with 18 ga. Galvanized steel shell and baseplate; 12" minimum height, 2 x 2 pressure treated wood nailer, insulated, internal angle reinforcing with welded corners. 2" mounting flange. Self flashing for single-ply EPDM roofing.



PLAN



ELEVATION



SECTION "A-A"  
 UCC-3

NOTE: Due to continuing research, United Enertech reserves the right to change specifications without notice.

Qty.	I.D.	O.D.	H	Roof Slope	Tag- Description
DRAWN BY: CLJ	DATE: 8-3-06	REV. NO. 6	REV. DATE: 12-23-10	APPROVED BY: CBY	DWG. NO.: M-3