

Metal Building Roof Curbs

Model: UMB-5

Metal Building Roof Curb with Integral Rib closures for Under/Over Roof Installation.

Additional Options:

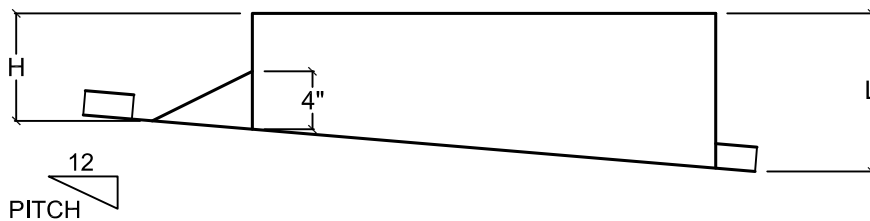
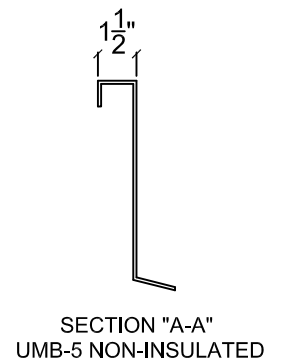
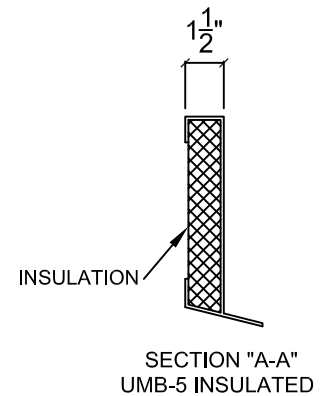
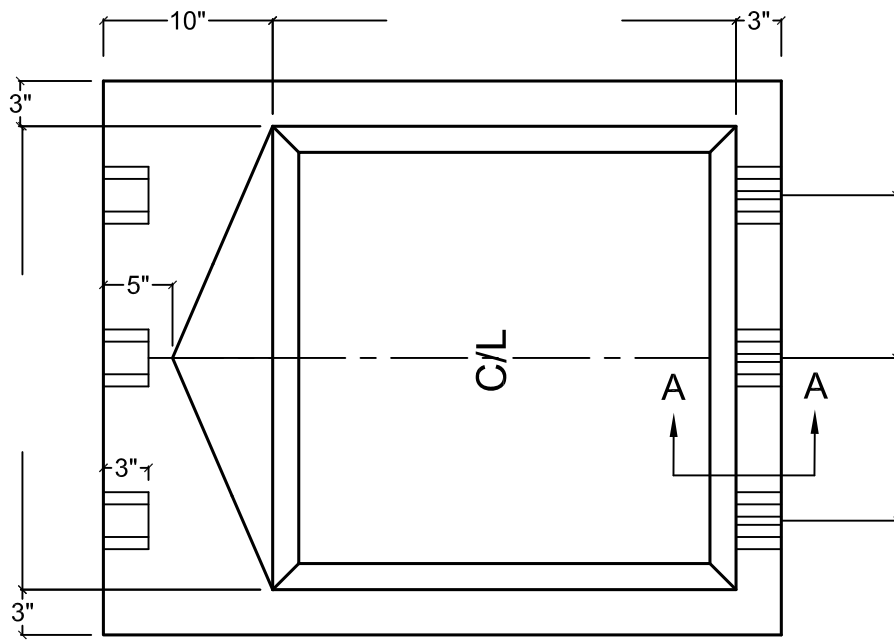
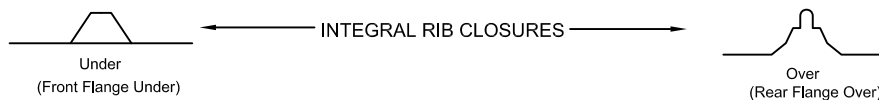
- 1.
- 2.
- 3.
- 4.

Standard Construction:

One-piece curb with 18 ga. Galvalume steel shell and baseplate; 8" minimum height, cricket water diverter, insulated, internal angle reinforcing with mitered corners and watertight welds; integral rib closures, prime painted after fabrication.

Roof Panel Manufacturer: _____ **Type:** _____

No. of Closures Under Panel: _____ **No. of Closures Over Panel:** _____
 (Uphill) (Downhill)



No. Req'd.	I.D.	O.D.	DRAWN BY: SRB	DATE: 4-26-06	REV. DATE: 1-5-11
Tag- Description	H	L			
			REV. NO. 6	APPROVED BY: CBY	DWG. NO.: M-29