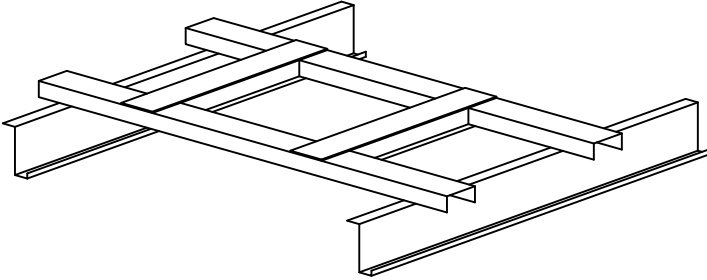
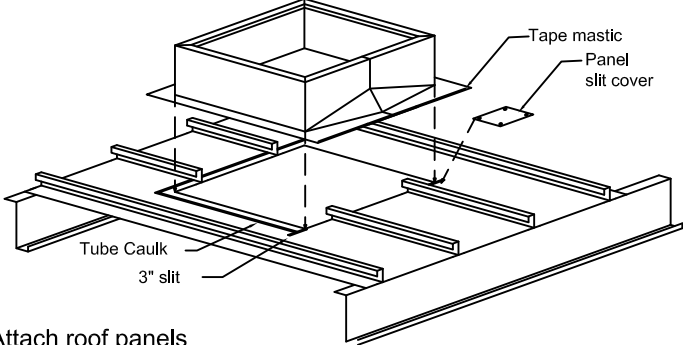


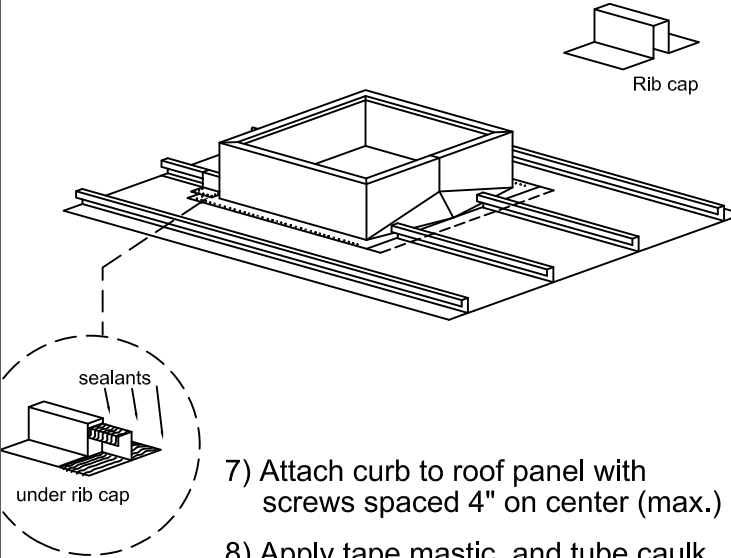
**Metal Building Roof Curb**



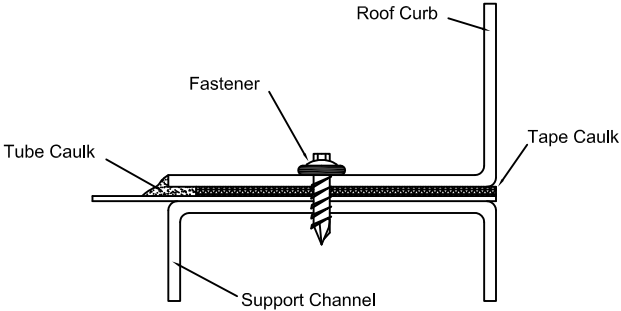
1) Place supports on purlins.  
 Attach upper & lower end supports to side support. Do not attach side supports to building structure.



2) Attach roof panels  
 3) Make roof cut-out to curb  
 O.D. +7" on uphill side, and  
 2" on downhill side  
 4) Slit (2) upper corners 3" to allow upper flange to slip under panel.  
 5) Apply Tape mastic around roof opening and tube caulk on the outside of the tape caulk line.  
 6) Notch downhill flange to allow curb to sit in the flat of the panel.



7) Attach curb to roof panel with screws spaced 4" on center (max.)  
 8) Apply tape mastic, and tube caulk at rib closure locations. Attach rib closures with appropriate fasteners.



9) Apply tube caulk to full perimeter of flange edge.  
 10) Install panel slit covers, then caulk edges.

Job Name: \_\_\_\_\_  
 Location: \_\_\_\_\_  
 Architect: \_\_\_\_\_  
 Engineer: \_\_\_\_\_  
 Contractor: \_\_\_\_\_

**MODEL UMB-4**  
 (front flange under roof panel)  
 (rear flange & sides over roof panel)

DRAWN BY: CLJ/SRB	DATE: 7-14-06	REV. DATE: 1-4-11
REV. NO. 4	APPROVED BY: BGT	DWG. NO.: <b>M-28</b>