

Metal Building Roof Curbs

Model: UMB-4

Metal Building Roof Curb with Loose Rib closures (Downhill) for Under/Over Roof Installation.

Additional Options:

- 1.
- 2.
- 3.
- 4.

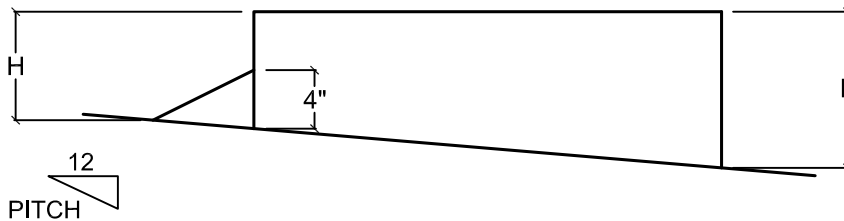
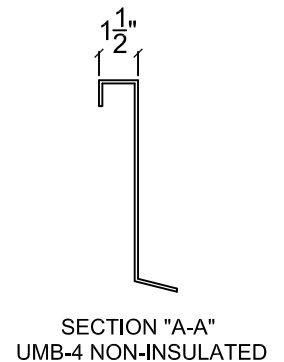
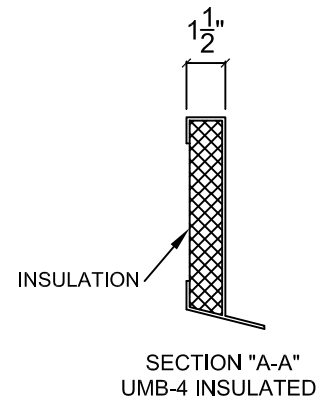
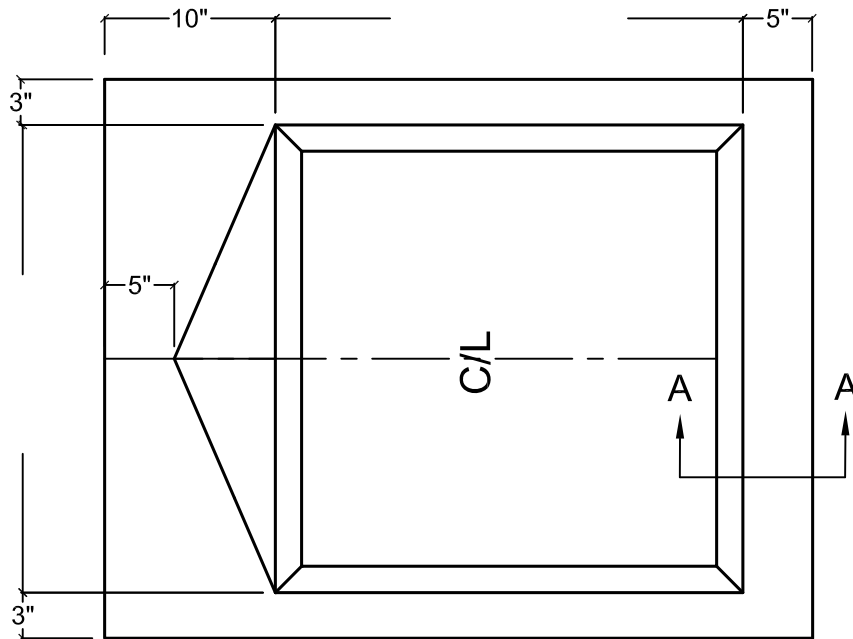
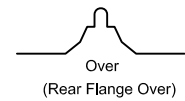
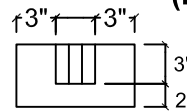
Standard Construction:

One-piece curb with 18 ga. Galvalume steel shell and baseplate; 8" minimum height, cricket water diverter, insulated, internal angle reinforcing with mitered corners and watertight welds, loose rib closures-Downhill only, prime painted after fabrication.

Roof Panel Manufacturer: _____ **Type:** _____

No. of Closures Over Panel: _____
(Downhill)

Front Flange Fits
 Under Roof Panel



No. Req'd.	I.D.	O.D.	DRAWN BY: SRB	DATE: 4-26-06	REV. DATE: 1-4-11
Tag-Description	H	L			
			REV. NO. 5	APPROVED BY: CBY	DWG. NO.: M-27