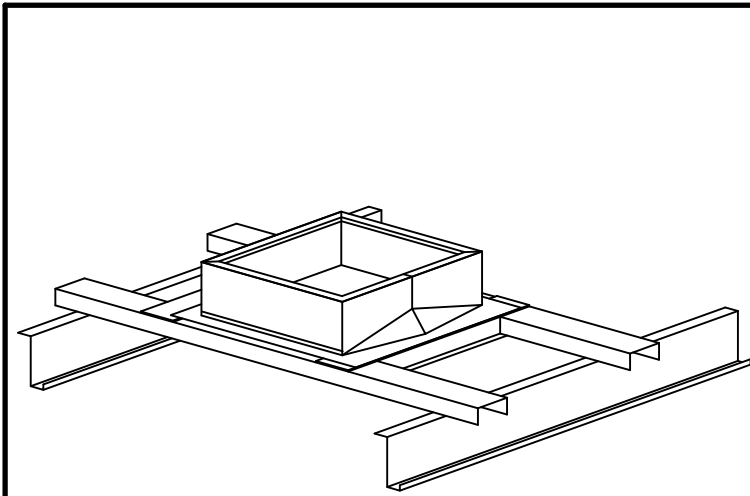
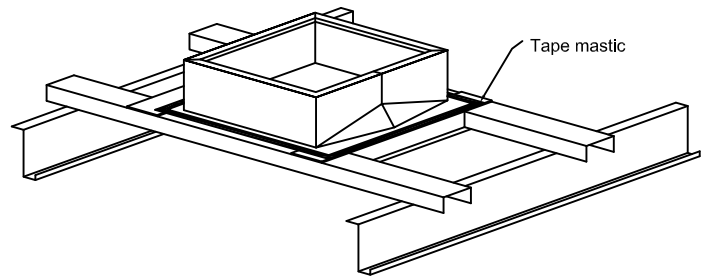


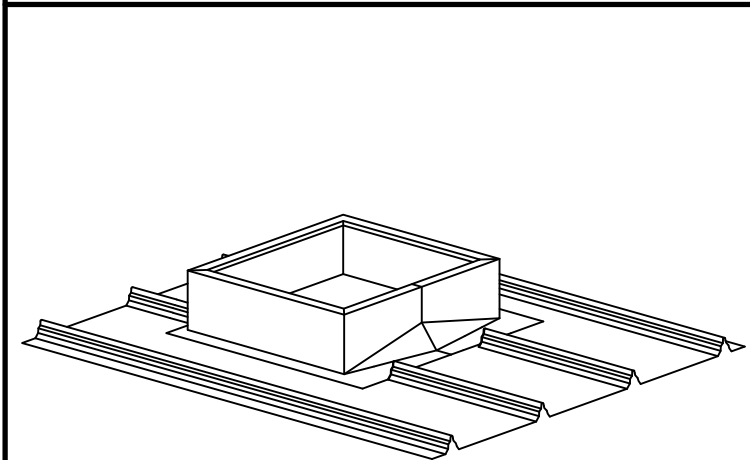
Metal Building Roof Curb



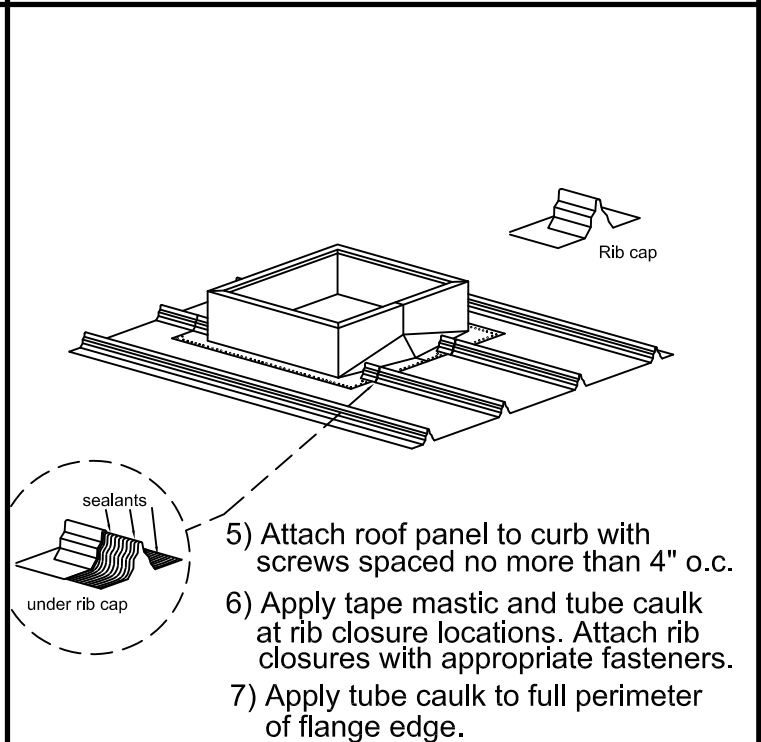
- 1) Place supports on purlins.
- 2) Place curb on support channels by matching inside support dimensions to inside curb dimensions.



- (3) Apply tape mastic around the outside of curb flange.



- 4) Attach roof panels.



MODEL UMB-2 (under roof)

Job Name:
Location:
Architect:
Engineer:
Contractor:

DRAWN BY: CLJ/SRB	DATE: 11-20-02	REV. DATE: 1-4-11
REV. NO. 2	APPROVED BY: BGT	DWG. NO.: M-24