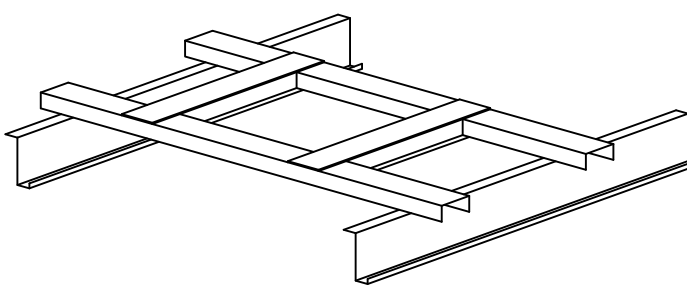
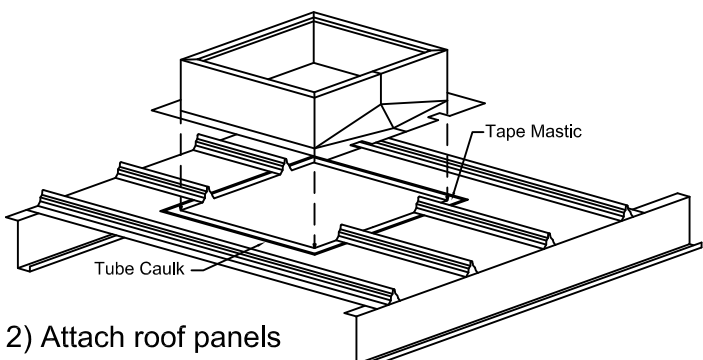


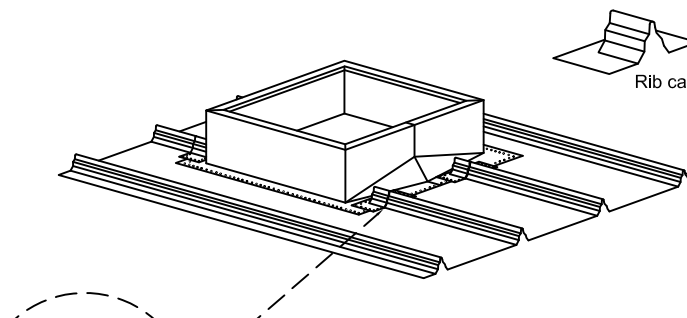
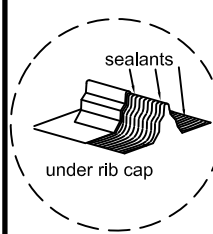
**Metal Building Roof Curb**



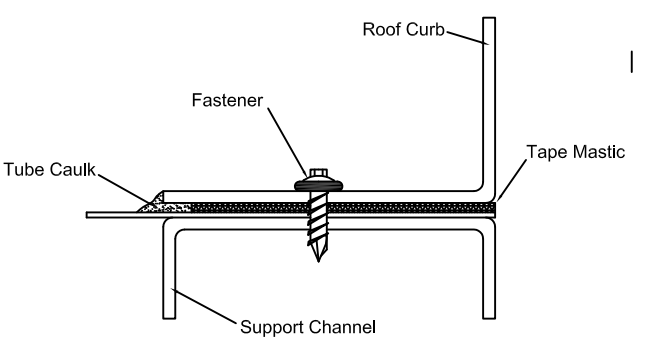
1) Place side supports on purlins. Attach upper and lower end supports to side support. Do not attach side supports to building structure.



2) Attach roof panels  
 3) Make roof cut-out to curb  
 O.D. +7" on uphill side, and  
 2" on downhill side  
 4) Apply tape mastic around roof opening and then set curb in place.  
 5) Notch curb flange to allow curb to sit in the flat of the panel.

6) Apply tape mastic, and tube caulk at rib closure locations. Attach rib closures with appropriate fasteners.  
 7) Attach curb to roof panel with screws spaced 4" on center (max.)



8) Apply tube caulk to full perimeter of flange edge.

Job Name:  
 Location:  
 Architect:  
 Engineer:  
 Contractor:

**MODEL UMB-2 (over roof)**

DRAWN BY: CLJ/SRB	DATE: 7-14-06	REV. DATE: 1-4-11
REV. NO. 5	APPROVED BY: BGT	DWG. NO.: <b>M-23</b>