

**Metal Building Roof Curbs**

**Model: UMB-2**

Metal Building Roof Curb with Loose Rib closures for Over/Over or Under/Under Roof Installation.

Additional Options:

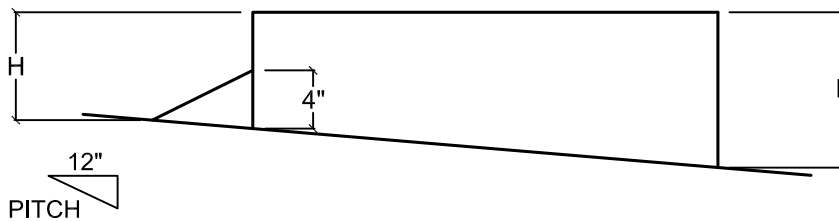
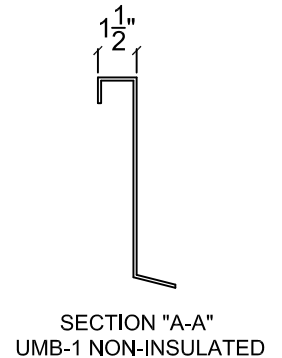
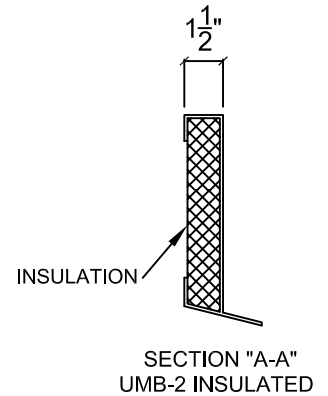
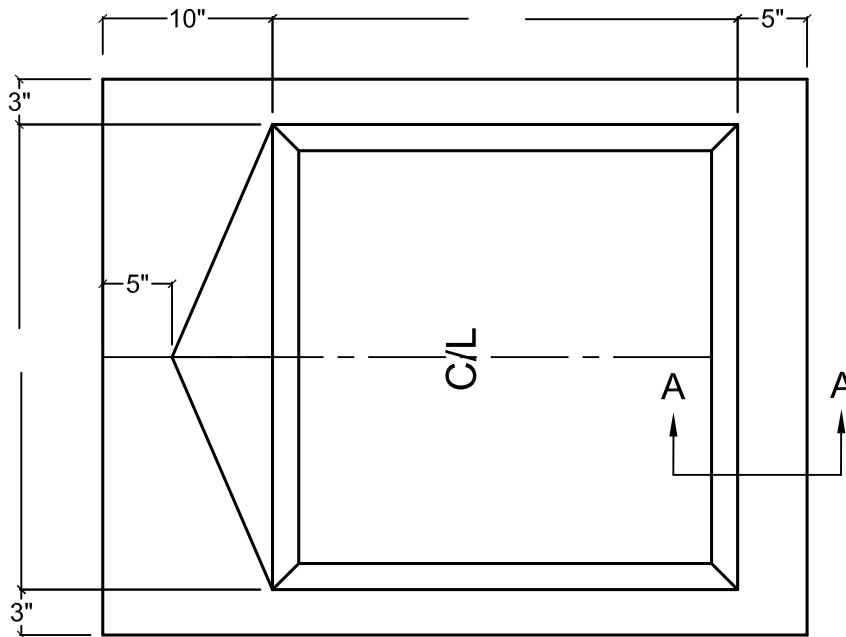
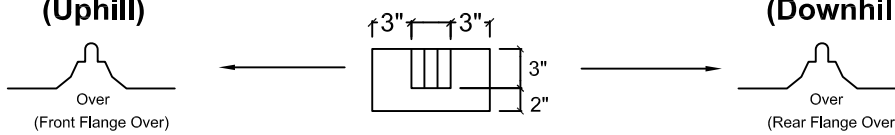
- 1.
- 2.
- 3.
- 4.

**Standard Construction:**

One-piece curb with 18 ga. Galvalume steel shell and baseplate; 8" minimum height, cricket water diverter, insulated, internal angle reinforcing with mitered corners and watertight welds; loose rib closures, prime painted after fabrication.

**Roof Panel Manufacturer:** \_\_\_\_\_ **Type:** \_\_\_\_\_

**No. of Closures Over Panel:** \_\_\_\_\_ **(Uphill)**      **No. of Closures Over Panel:** \_\_\_\_\_ **(Downhill)**



No. Req'd.	I.D.	O.D.	DRAWN BY: CLJ	DATE: 7-14-06	REV. DATE: 1-4-11
Tag- Description		H	REV. NO. 5	APPROVED BY: BGT	DWG. NO.: <b>M-22</b>