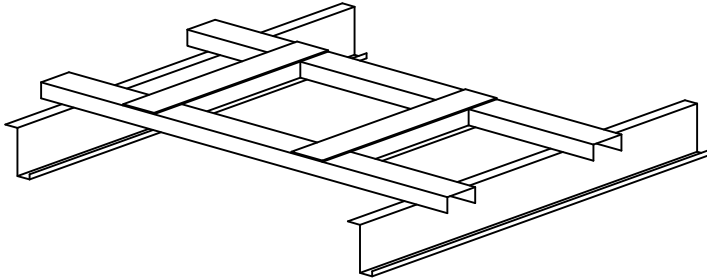
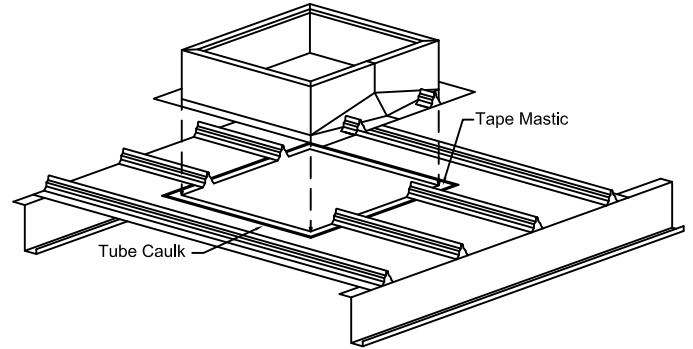


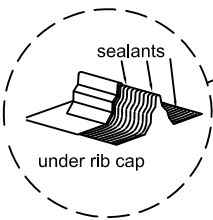
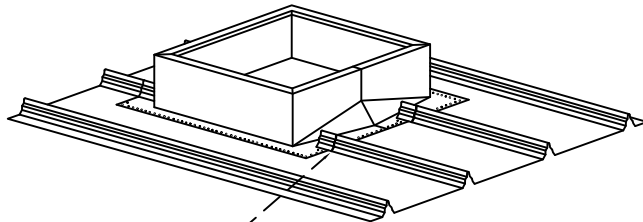
Metal Building Roof Curb



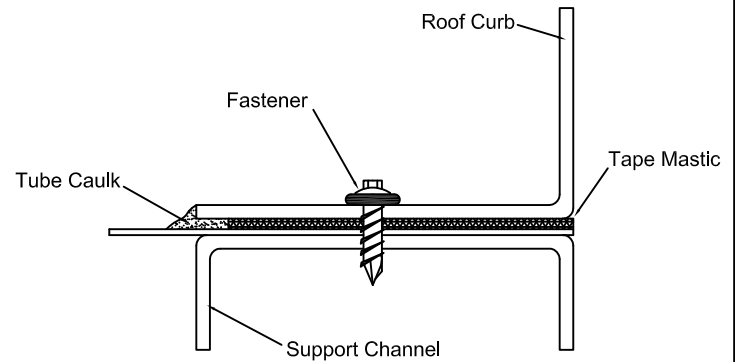
1) Place side supports on purlins. Attach upper and lower end supports to side support. Do not attach side supports to building structure.



2) Attach roof panels
 3) Make roof cut-out to curb
 O.D. +6" on uphill side
 4) Apply tape mastic around roof opening, then set curb in place.



5) Attach curb to roof panel with screws spaced 4" on center (max.)
 6) Apply tube caulk to full perimeter of flange edge.



Due to continuing research, United Energetech reserves the right to change specifications without notice.

Job Name:

Location:

Architect:

Engineer:

Contractor:

MODEL UMB-1 (over roof)

DRAWN BY:
CLJ/SRB

DATE:
5-25-06

REV. DATE:
1-4-11

REV. NO.
4

APPROVED BY:
BGT

DWG. NO.:
M-21