

Metal Building Roof Curbs

Model: UMB-1

Metal Building Roof Curb with Integral Rib Closures for Over/Over Roof Installation.

Additional Options:

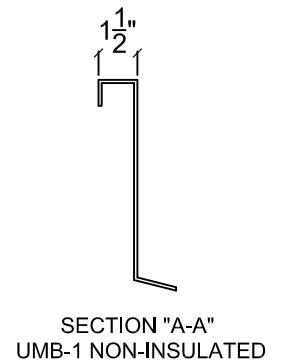
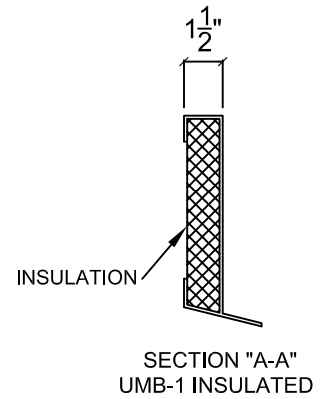
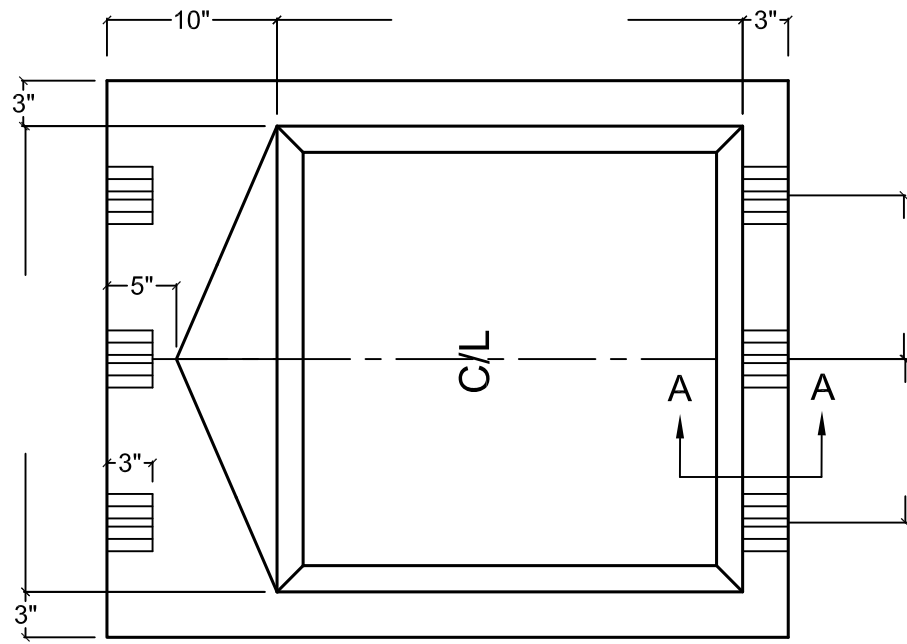
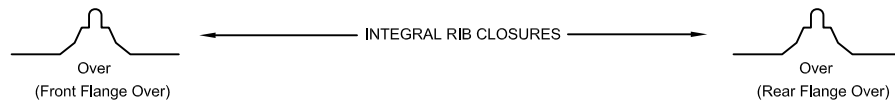
- 1.
- 2.
- 3.
- 4.

Standard Construction:

One-piece curb with 18 ga. Galvalume steel shell and baseplate; 8" minimum height, cricket water diverter, insulated, internal angle reinforcing with mitered corners and watertight welds, integral rib closures, prime painted after fabrication.

Roof Panel Manufacturer: _____ **Type:** _____

No. of Closures Over Panel: (Uphill) _____ **No. of Closures Over Panel: (Downhill)** _____



Due to continuing research, United Energetech reserves the right to change specifications without notice.

No. Req'd.	I.D.	O.D.	DRAWN BY: SRB	DATE: 4-26-06	REV. DATE: 1-4-11
Tag- Description	H	L			
			REV. NO. 6	APPROVED BY: CBY	DWG. NO.: M-20