

Model: UCC-2

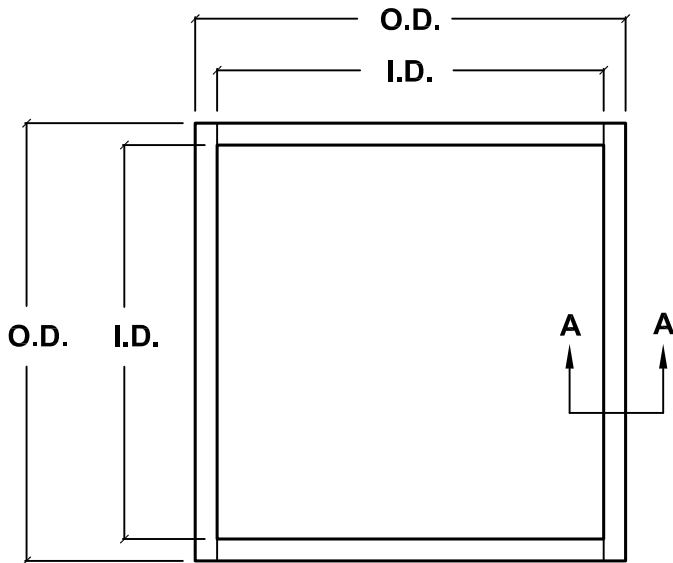
Conventional Roof Curb

Additional Options:

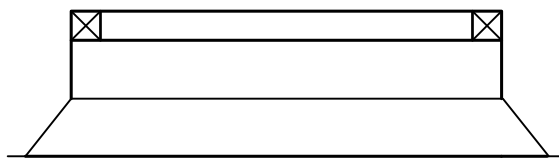
- 1.
- 2.
- 3.
- 4.

Standard Construction:

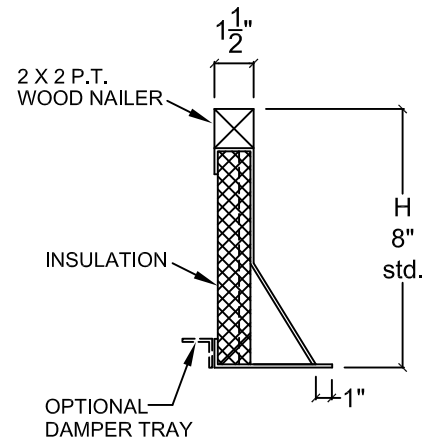
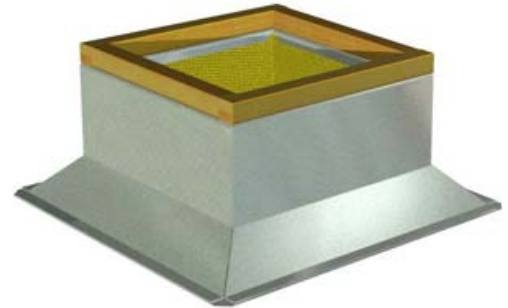
One-piece curb with 18 ga. Galvanized steel shell and baseplate; 8" minimum height, 2 x 2 pressure treated wood nailer, insulated, internal angle reinforcing with welded corners, 1" mounting flange. For non-insulated roof decks.



PLAN



ELEVATION



SECTION "A-A"
UCC-2

NOTE: Due to continuing research, United Enertech reserves the right to change specifications without notice.

Qty.	I.D.	O.D.	H	Roof Slope	Tag- Description
DRAWN BY: CLJ	DATE: 8-3-06	REV. NO. 6	REV. DATE: 12-23-10	APPROVED BY: CBY	DWG. NO.: M-2