

**Vented Conventional Roof Curb**

**Model: UCC- \* VENTED**

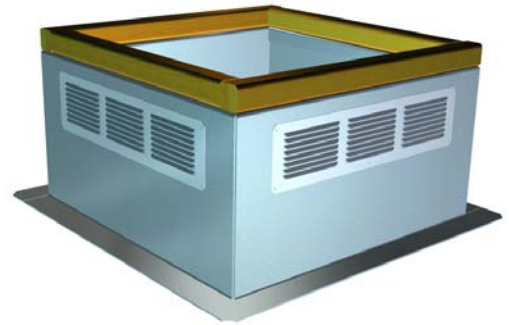
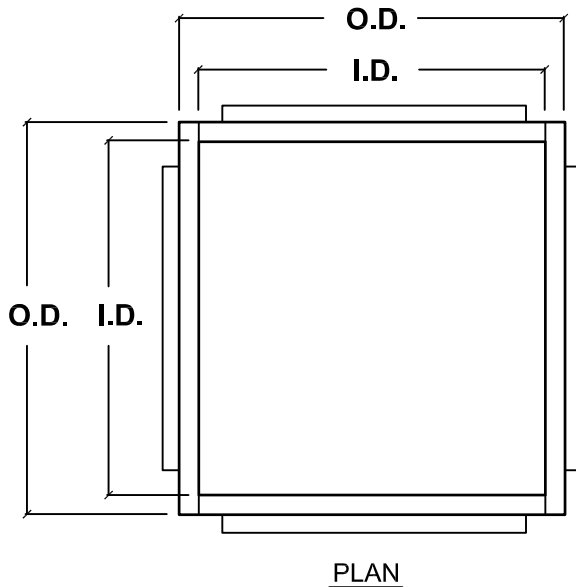
Vented Conventional Roof Curb

Additional Options:

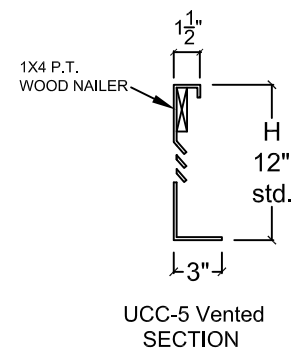
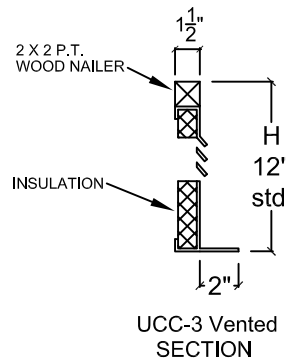
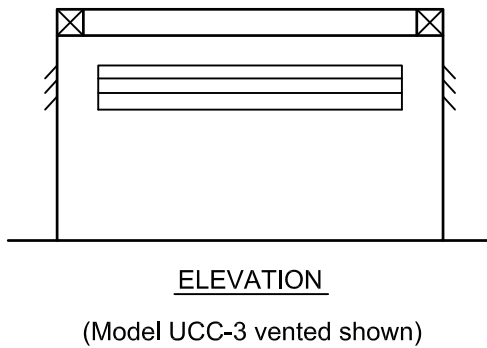
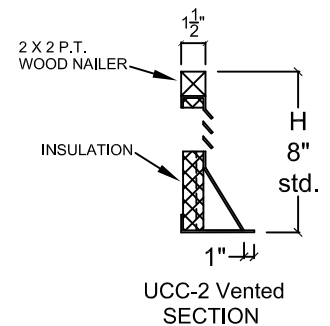
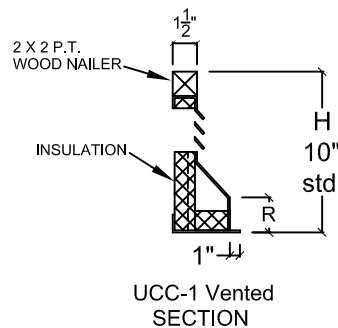
- 1.
- 2.
- 3.
- 4.

**Standard Construction:**

One-piece vented curb with 18 ga. Galvanized steel shell and baseplate; available in \*UCC-1, 2, 3, & 5 models.



(Model UCC-3 vented shown)



Due to continuing research, United Enertech reserves the right to change specifications without notice.

Qty.	Model	I.D.	O.D.	H	R (UCC-1 only)	Roof Slope	Tag- Description
DRAWN BY: CLJ	DATE: 9-8-06	REV. NO. 5	REV. DATE: 7-25-16	APPROVED BY: CBY	DWG. NO.: <b>M-13</b>		