

Fan Curb Adapter

Model: FCA-2

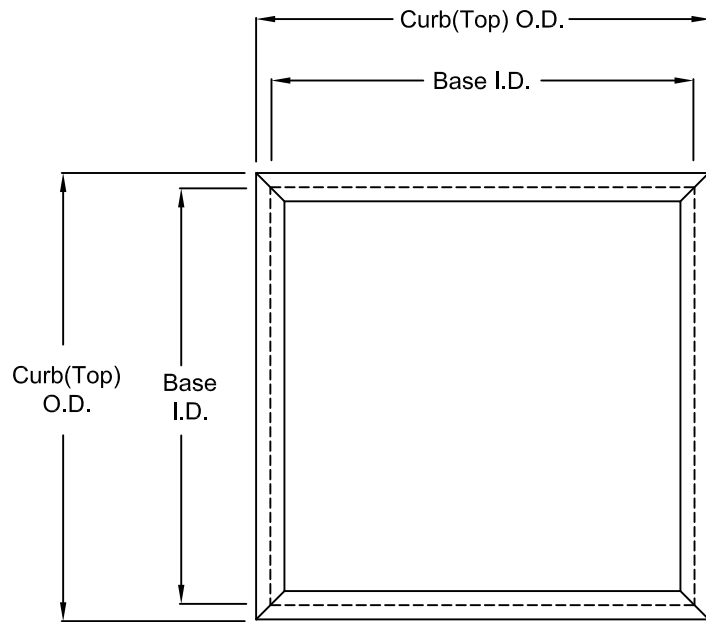
Fan Curb Adapter

Additional Options:

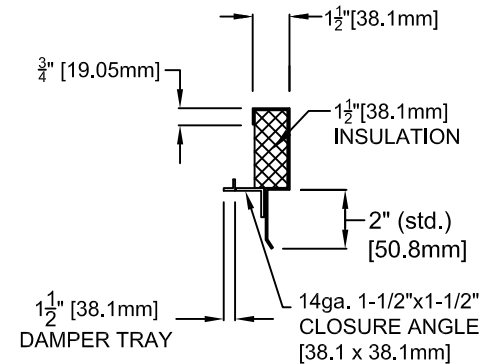
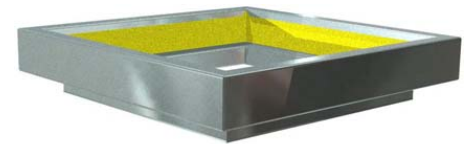
- 1.
- 2.
- 3.
- 4.

Standard Construction:

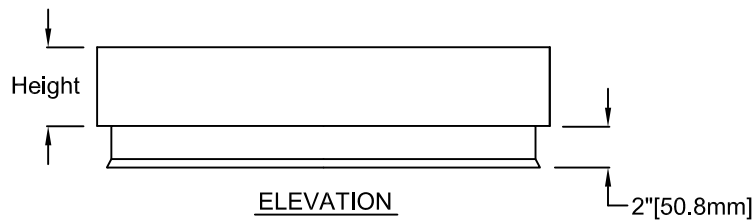
18 ga. Galvanized steel construction. Insulated, internal angle reinforcing with welded corners.



PLAN



FCA-2 SECTION



ELEVATION

Due to continuing research, United Enertech reserves the right to change specifications without notice.

| Qty. | Base I.D. | Curb(Top) O.D. | Height | Tag- Description |
|------|-----------|----------------|--------|------------------|
| | | | | |

| | | | | | |
|------------------|------------------|---------------|-----------------------|--------------------|--------------------------|
| DRAWN BY: CLJ | DATE: 8-28-06 | REV. NO. 9 | REV. DATE: 9-21-16 | APPROVED BY: CJ | DWG. NO.: M-11 |
|------------------|------------------|---------------|-----------------------|--------------------|--------------------------|