

**Conventional Roof Curb**

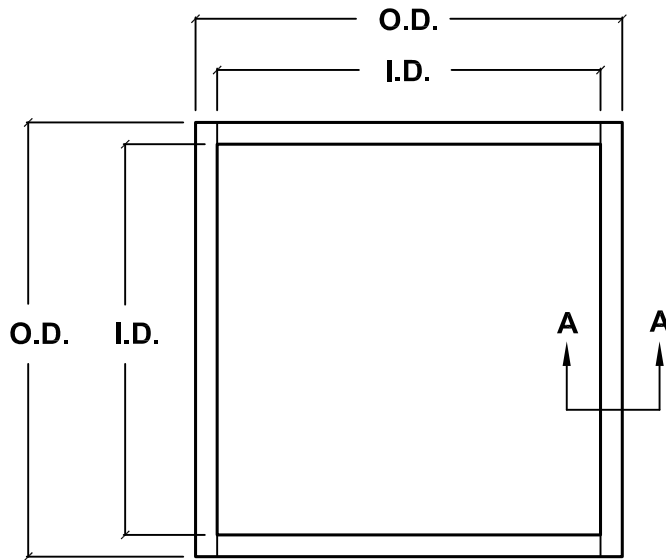
**Model: UCC-1**  
 Conventional Roof Curb

Additional Options:

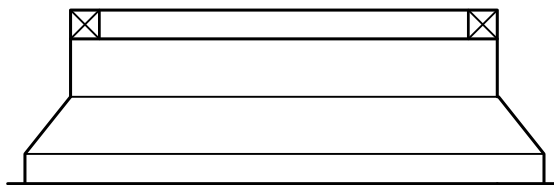
- 1.
- 2.
- 3.
- 4.

**Standard Construction:**

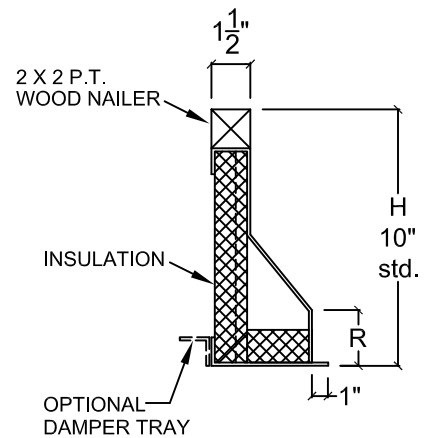
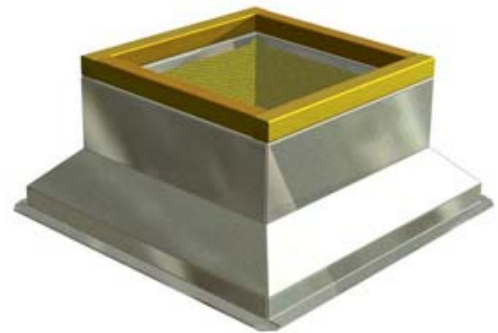
One-piece curb with 18 ga. Galvanized steel shell and baseplate; 10" minimum height, 2 x 2 pressure treated wood nailer, insulated, internal angle reinforcing with welded corners, 1" mounting flange. Raised cant for insulated roof decks.



PLAN



ELEVATION



SECTION "A-A"  
 UCC-1

NOTE: Due to continuing research, United Enertech reserves the right to change specifications without notice.

Qty.	I.D.	O.D.	H	R	Roof Slope	Tag- Description

DRAWN BY: CLJ	DATE: 8-3-06	REV. NO. 6	REV. DATE: 12-23-10	APPROVED BY: CBY	DWG. NO.: <b>M-1</b>
------------------	-----------------	---------------	------------------------	---------------------	-------------------------