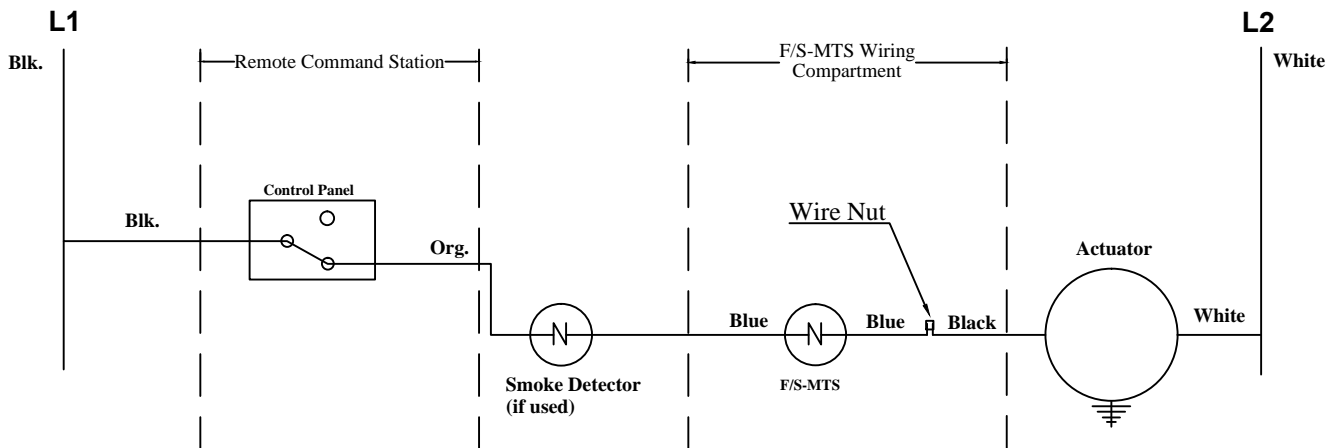
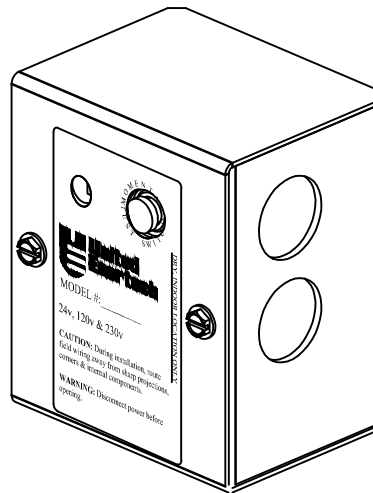


Application:

The Momentary Test Switch is an option available on all United Enertech UL-Listed Smoke and Fire-Smoke Dampers. A Momentary Test Switch allows for push-button testing and inspection of a damper. This can be done without aid from the central control room and without interrupting the entire zone.

One Momentary Test Switch per damper would be required and can be used in conjunction to all other Fire-Smoke or Smoke Damper accessories.



As part of continuing research, we reserve the right to make improvements to this design without notice.

Job Name:	<input type="checkbox"/> Model F/S-MTS		
Location:			
Architect:			
Engineer:	Drawn By: JP/ZD	Date: 4/20/19	Rev. Date:
Contractor:	Rev. No. 0	Approved By CJ	Dwg. No.: P-63f