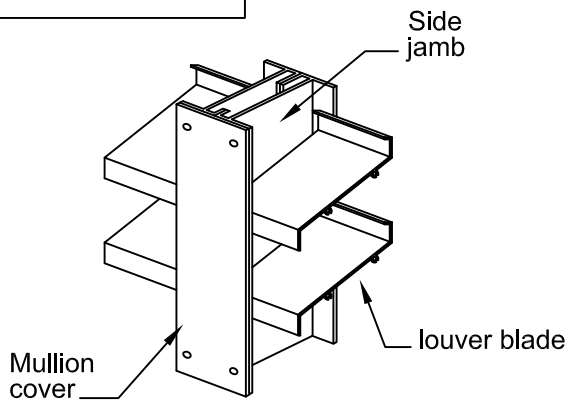


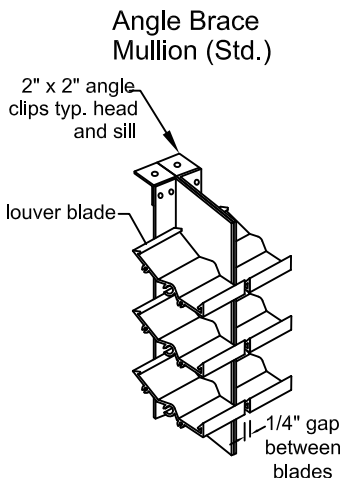
Exposed Mullion



(sheet metal screws @ 6" o.c., caulked underneath and around mullion cover)

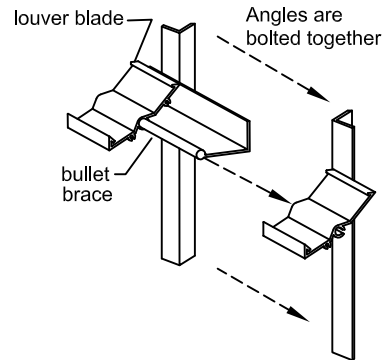
(Model EL-4 shown)

Concealed Mullion



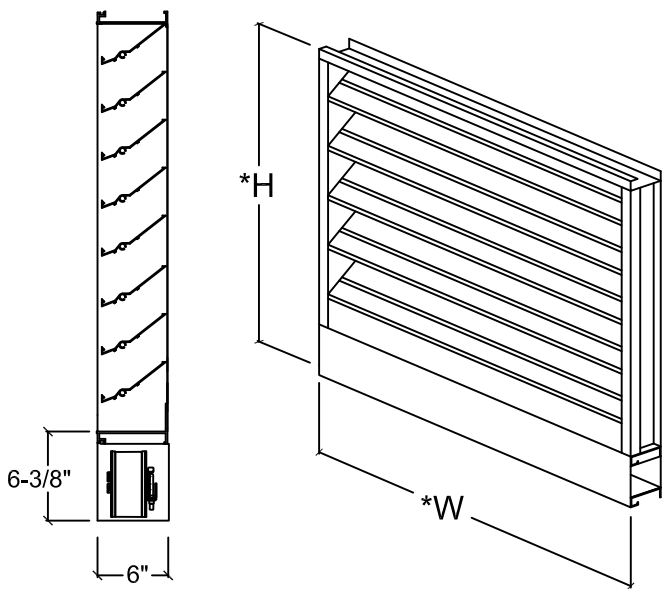
(Model FL-D-4 shown)

Optional Bullet Brace Mullion

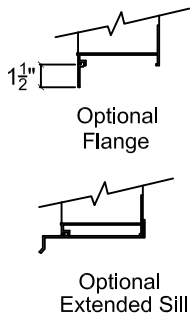


(Model FL-D-4 shown)

Concealed Actuator



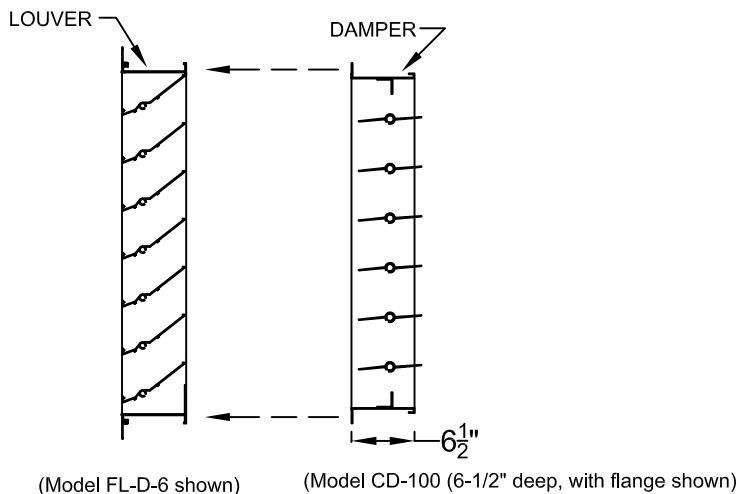
(Model FL-D-6 shown)



Consult Factory for Actuators that fit in 4" deep Louvers- Most Actuators will fit 6" deep Louvers.

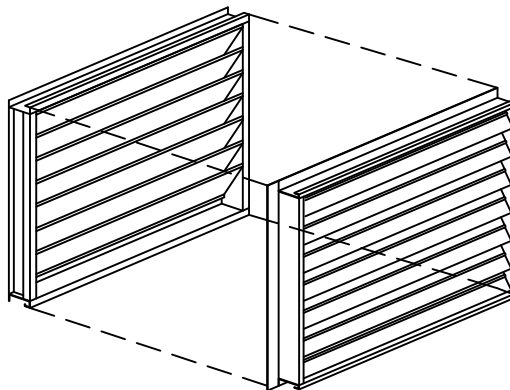
(linkage will be mounted in jamb)

Pre-mounted Damper to Louver



(Model FL-D-6 shown)

(Model CD-100 (6-1/2" deep, with flange shown))



Due to continuing research, United Enertech reserves the right to change specifications without notice.

Job Name:

Location:

Architect:

Engineer:

Contractor:



3005 South Hickory Street
Chattanooga, Tennessee 37407
Tel: (423) 698-7715
Fax: (423) 698-6629
www.unitedenertech.com

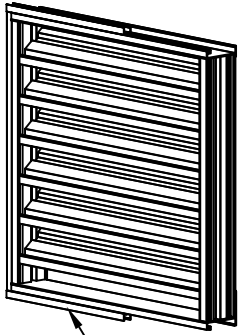
Louver Details

DRAWN BY: MHM	DATE: 3-24-10	REV. DATE:	REV. NO.	APPROVED BY: BGT	DWG. NO.: A-56
------------------	------------------	------------	----------	---------------------	--------------------------

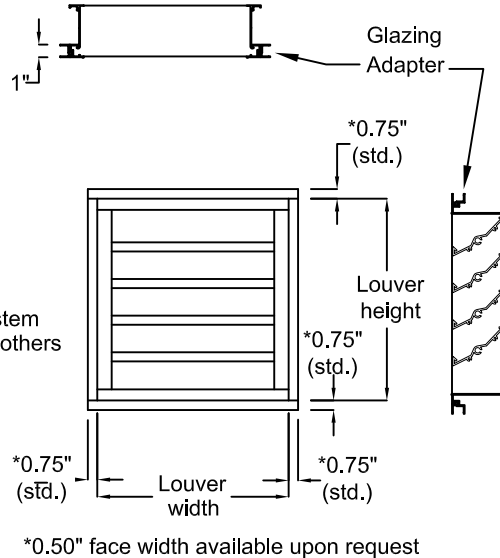
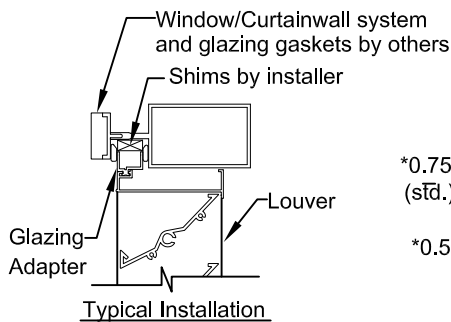
Glazing Adapter

1" Glazing Adapter for curtainwall and window systems.
For use with the following United Enertech Louver models:

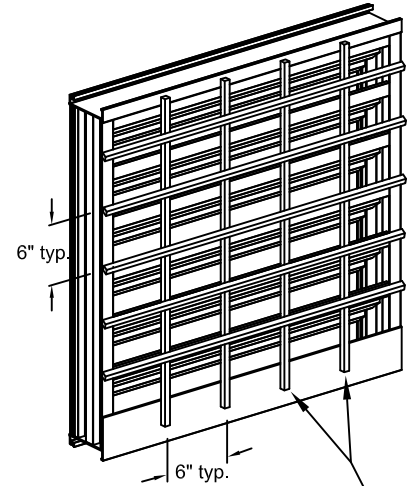
FL-D-2	EL-6	AFL-D-4	RD-4
FL-D-4	D-DR-4	AFL-D-6	VF-2
FL-D-6.1	D-DR-6	CFL-D-4	FLID-4
EL-2	SED-4	CFL-D-6	
EL-4	SED-5.1		



Glazing Adapter
(.081" extruded aluminum)



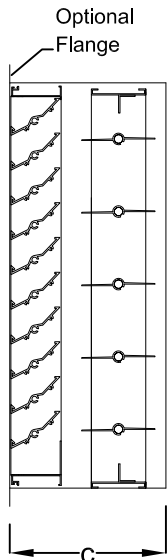
Security Bars



Security bars are welded to rear of louver.
Available in *Galvanized Steel (1/2" x 1/2")
and **Aluminum (3/8" x 3/8" or 1/2" x 1/2")
(vertically & horizontally)

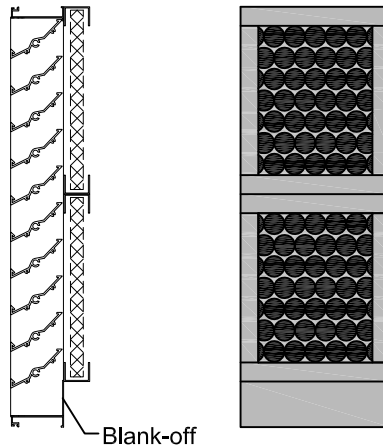
*Steel security bars only available for steel louvers.
**Aluminum security bars only available for aluminum louvers.

Louver/Damper Sleeve



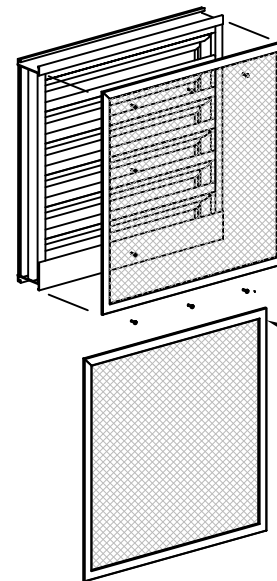
Any two or more products may be combined in a common sleeve. Include dimension "C" (sleeve depth) with order.

Filter Racks



Filter racks available for 1" or 2" filters.
When ordering, specify filter depth.
Unused bottom portion is blanked-off with .040" aluminum sheet metal.
(filters furnished by others)

Stand-alone bird/insect screen



Screen frame can be taken on and off of louver while keeping bird screen or insect screen intact.

Stand alone frame for "screen only" applications.

Due to continuing research, United Enertech reserves the right to change specifications without notice.

Job Name:

Location:

Architect:

Engineer:

Contractor:



3005 South Hickory Street
Chattanooga, Tennessee 37407
Tel: (423) 698-7715
Fax: (423) 698-6629
www.unitedenertech.com

Louver Details

DRAWN BY:	DATE:	REV. DATE:	REV. NO.	APPROVED BY:	DWG. NO.:
MHM	3-24-10	4-1-10	1	BGT	A-57

SUBMITTAL DATA

EXTRUDED SUBFRAME

Height (36" max.)

Width (36" max.)

HINGE

Quick turn latches

Extruded subframe

Flange overlaps gap between louver and subframe

1/2" gap between door and subframe allows door to open

MAXIMUM SIZE: 36"w x 36"h
Includes quick turn latches

QTY.	SIZE	TAG

HINGE OPTIONS:

- Hinge Direction
 - Vertical
 - Horizontal
- Hinge type
 - Top
 - Bottom
- Hinge type
 - Plain steel (std.)
 - Stainless steel
 - Aluminum
- No hinge, no fasteners
Contractor to field mount louvers in subframe.
- Hasp with staple twist
- Padlock for hasp

HEAVY DUTY TUBE SUBFRAME

Height (84" max.)

Width (96" max.)

48" (max.)

48" (max.)

HINGE

lockable snap hasp

HINGE

Flange overlaps gap between louvers

Tube subframe
2" x (2", 4", or 6") x 1/4" wall thickness
-tube size based on depth of louver-

1/2" gap allows doors to open

Note: horizontal hinging requires 1/2" gap at opposite end of hinge to allow door to open

MAXIMUM SIZE: 96"w x 84"h
Includes heavy duty lockable hasp (std.)

NOTE: FOR SIZES LARGER THAN 96"w x 84"h, PLEASE CONSULT FACTORY

HINGE OPTIONS:

- Hinge Direction
 - Vertical
 - Horizontal
- Hinge type
 - Top
 - Bottom
- Hinge type
 - Plain steel (std.)
 - Stainless steel
 - Aluminum
- No hinge, no fasteners
Contractor to field mount louvers in subframe.
- Hasp with staple twist
- Padlock for hasp

Single door version also available.
(48"w x 96"h maximum size)

Due to continuing research, United Enertech reserves the right to change specifications without notice.

Job Name:
Location:
Architect:
Engineer:
Contractor:

3005 South Hickory Street
Chattanooga, Tennessee 37407
Tel: (423) 698-7715
Fax: (423) 698-6629
www.unitedenertech.com

Louver Details

DRAWN BY:	DATE:	REV. DATE:	REV. NO.:	APPROVED BY:	DWG. NO.:
MHM	3-24-10	2-18-13	1	BGT	A-58