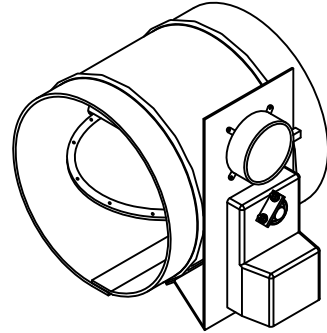


BYPASS DAMPERS WITH CONTROLS

STANDARD FEATURES:

1. SPC-800 Adjustable Controller with LED Lights
2. Power Open/Power Close Actuator
3. $\frac{1}{4}$ " I.D. Clear Tubing with Duct Static Pressure Sensor tip (5ft. included)
4. Adjustable (Factory Set for 0.40" wc, range 0.08 to 1.2 wc)
5. Blade and Jamb seals standard

MODEL RI-K

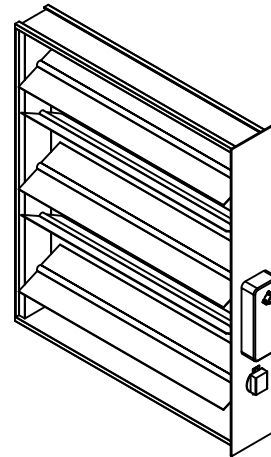


Note: $\frac{1}{8}$ " Undersized

OPTIONS:

- Upgrade Controller to Dwyer A3001 with Read-Out (range : 0-1.0" wc)

MODEL CD-100-K



Note: $\frac{1}{4}$ " Undersized

BYPASS SIZING CHART	
TONS	BYPASS SIZING
3,3.5	10"
4,4.5	12"
7.5,10	14"
12.5	16"
15,17.5	18"
20	22"
25	26"
30	30"

Note: Equivalent Rectangular Sizes

Job Name:	<input type="checkbox"/> MODEL RI-K BYPASS DAMPER (ROUND)		
Location:	<input type="checkbox"/> MODEL CD-100-K BYPASS DAMPER (RECTANGULAR)		
Architect:	DRAWN BY:	DATE:	REV. DATE:
Engineer:	MHM	6-13-93	5-25-16
Contractor:	REV. NO.	APPROVED BY:	DWG. NO.:
	19	CLJ	L-9