

RETROFIT TERMINAL:

MODEL R-680 was developed in response to retrofit projects. The R-680 incorporates a metal multi-point cross flow and a bell-mouth for smooth laminar flow.

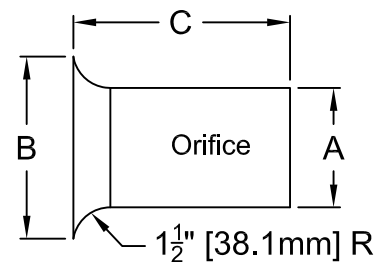
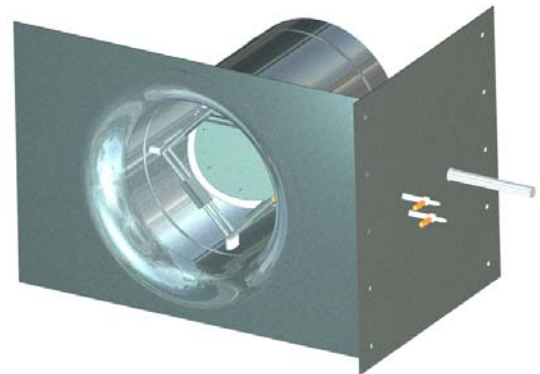
STANDARD FEATURES:

1. Metal (Cross Flow)
2. Bellmouth Entrance
3. Bronze Oilite Bearings
4. 18ga Galvanized Header Plate & Bulk Head
5. Low Leakage Blade Seals
6. 1/2" [12.7mm] O.D. Solid Aluminum Machined Shaft
7. Header Plate with Double Sided Adhesive Gasket

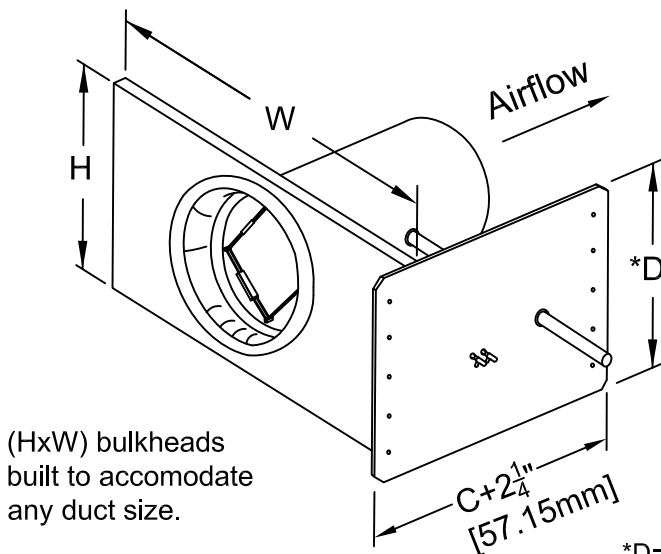
OPTIONS:

- Double Orifice
- Triple Orifice
- All Stainless Steel Construction
- Straight filling body in lieu of bellmouth
- Controls Available (Pneumatic or Electronic)
- Motor and/or Controls Enclosure

- Variable Air Volume
- Constant Volume



Single Orifice Dimensions					
SIZE	CFM	A	B	C	D
4	45-200	4" [101.6mm]	8 [203.2]	10-3/4 [273]	*
5	65-350	5 [127]	9 [228.6]	10-3/4 [273]	*
6	80-450	6 [152.4]	10 [254]	10-3/4 [273]	*
7	105-650	7 [177.8]	11 [279.4]	10-3/4 [273]	*
8	145-800	8 [203.2]	12 [304.8]	10-3/4 [273]	*
9	175-1050	9 [228.6]	13 [330.2]	12-3/4 [324]	*
10	230-1350	10 [254]	14 [355.6]	12-3/4 [324]	*
12	325-2100	12 [304.8]	16 [406.4]	14-3/4 [375]	*
14	450-3200	14 [355.6]	18 [457.2]	14-3/4 [375]	*
16	580-4000	16 [406.4]	20 [508]	14-3/4 [375]	*



CFM shown is controlling range- unit is capable of shut-off.

*D=Existing Duct (Existing Duct Must Be 1" [25.4mm] Larger Than "B")

MODEL R-680

Job Name:			
Location:			
Architect:	DRAWN BY:	DATE:	REV. DATE:
Engineer:	MHM	08-1-99	10-20-14
Contractor:	REV. NO.	APPROVED BY:	DWG. NO.:
	20	BGT	L-8