

RETROFIT TERMINAL:

MODEL R-650 was developed in response to retrofit projects. The R-650 incorporates a metal multi-point cross flow and a bell-mouth for smooth laminar flow.

STANDARD FEATURES:

1. Metal (Cross Flow)
2. Bell Mouth Entrance
3. Bronze Oilite Bearings
4. Low Leakage Blade Seals
5. 1/2" [19.05mm] O.D. Solid Aluminum Machined Shaft
6. Self-adhesive backed flange

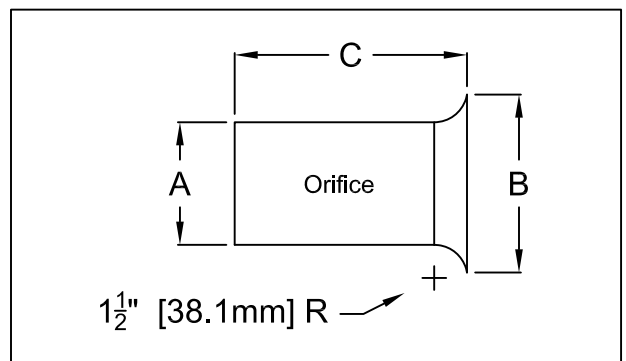
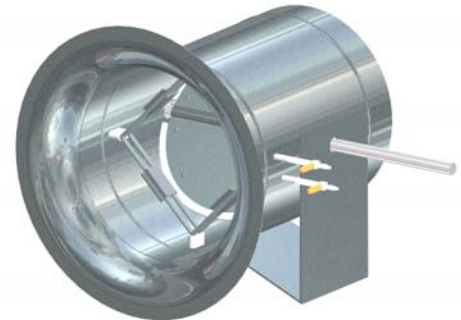
OPTIONS:

- All Stainless Steel Construction
- Straight filling body in lieu of bellmouth
- Controls Available (Pneumatic or Electronic)
- Motor and/or Controls Enclosure
- Omit Motor Mounting Plate
- Extended Shaft

MOUNTING:

Peel Paper away from gasket
 -stick in place- finish off with
 Sheet metal screws.

- Variable Air Volume
- Constant Volume



Single Orifice		Dimensions		
SIZE	CFM	A	B	C
4	45-200	4" [101.6mm]	8" [203.2mm]	10-3/4 [273]
5	65-350	5 [127]	9 [228.6]	10-3/4 [273]
6	80-450	6 [152.4]	10 [254]	10-3/4 [273]
7	105-650	7 [177.8]	11 [279.4]	10-3/4 [273]
8	145-800	8 [203.2]	12 [304.8]	10-3/4 [273]
9	175-1050	9 [228.6]	13 [330.2]	12-3/4 [324]
10	230-1350	10 [254]	14 [355.6]	12-3/4 [324]
12	325-2100	12 [304.8]	16 [406.4]	14-3/4 [375]
14	450-3200	14 [355.6]	18 [457.2]	14-3/4 [375]
16	580-4000	16 [406.4]	20 [508]	14-3/4 [375]

CFM shown is controlling range- unit is capable of shut-off.

Job Name:	<input type="checkbox"/> MODEL R-650					
Location:						
Architect:				DRAWN BY: MHM	DATE: 08-21-99	REV. DATE: 10-20-14
Engineer:				REV. NO. 8	APPROVED BY: BGT	DWG. NO.: L-7
Contractor:						