

MODEL RI-FL

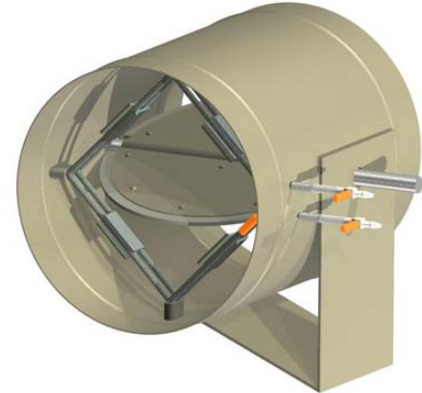
SPECIFICATIONS:

The Model RI-FL was developed in response to automation controls companies' need for a damper with the flexibility to mount various manufacturers' actuators and controls.

- VARIABLE AIR VOLUME
- CONSTANT AIR VOLUME

STANDARD FEATURES:

The MODEL RI-FL features a built in cross flow sensor with a cylinder for multi-point pick up averaging. The terminal also includes a gasket for low leakage air control, and 1/2" solid aluminum shaft. The body and blade are constructed of G-90 galvanized steel.



MODEL RI-FL

o.d. undersized approx. 1/8"

VARIATIONS:

- #304 S/S construction body, blade & shaft
- Electric duct heater (Shipped Loose)
- Hot water coil (Shipped Loose)
- All aluminum construction
- Pneumatic controls
- Analog controls
- Motor and/or controls enclosure

| DIAMETER | CFM | LENGTH | BODY & BLADE |
|----------|----------|--------|--------------|
| 4 | 45-200 | 10" | * 24 ga. |
| 5 | 65-350 | 10" | * 24 ga. |
| 6 | 80-450 | 10" | * 24 ga. |
| 7 | 105-650 | 10" | * 24 ga. |
| 8 | 145-800 | 10" | * 24 ga. |
| 9 | 175-1050 | 12" | * 24 ga. |
| 10 | 230-1350 | 12" | * 24 ga. |
| 12 | 325-2100 | 14" | * 20 ga. |
| 14 | 450-3200 | 14" | * 20 ga. |
| 16 | 580-4000 | 14" | * 20 ga. |

* Blade doubled equivalent to 16 ga. and 14 ga. respectively

| | | | | |
|-------------|---|------------------|---------------------|------------------------|
| Job Name: | <input type="checkbox"/> MODEL RI-FL | | | |
| Location: | | | | |
| Architect: | | | | |
| Engineer: | | DRAWN BY: CLJ | DATE: 2-16-93 | REV. DATE: 10-20-14 |
| Contractor: | | REV. NO. 21 | APPROVED BY: MDD | DWG. NO.: L-2 |