

Standard Construction:

Face Plates: 3/16" thick steel - 1/4" holes on 3/8" staggered centers with approx. 1" border

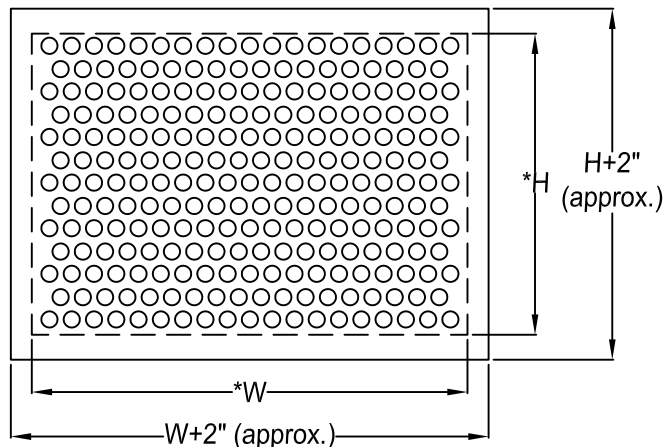
Sleeve: 3/16" thick cold rolled steel, 16" Length (std.)

Backer Bars: 1/2" x 1" steel flat bars on 6" centers

Angle: 1-1/2"x1-1/2"x1/4" steel (shipped loose)

Finish: Powder coat gray

All Welded Construction



*Width & Height dimensions approx. 1/4" under listed size

Options:

A. Material

- Stainless Steel
- Aluminum

B. Sleeve

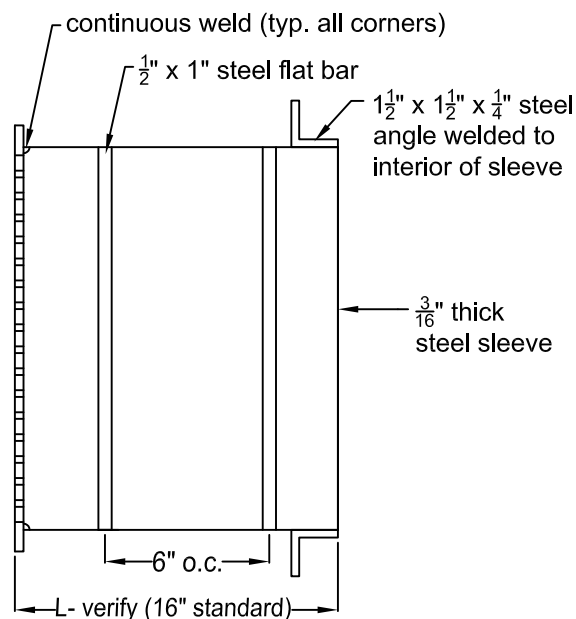
- 10 GA. Steel
- 12 GA. Steel
- Other _____

C. Angles

- Welded to sleeve (advise placement)
- Welded & Filled corners - shipped loose
- Welded & Filled corners - welded to sleeve (advise placement)

D. Finish

- Baked Powder Epoxy-U.E Std. Color
- Crystal White-Baked Powder Polyester
- Other _____



Due to continuing research United Enertech reserves the right to change specifications without notice.

Job Name:	<input type="checkbox"/> MODEL MS-P-3		
Location:			
Architect:			
Engineer:	DRAWN BY: MHM	DATE: 12-17-06	REV. DATE: 2-21-11
Contractor:	REV. NO. 3	APPROVED BY: BGT	DWG. NO.: K-6