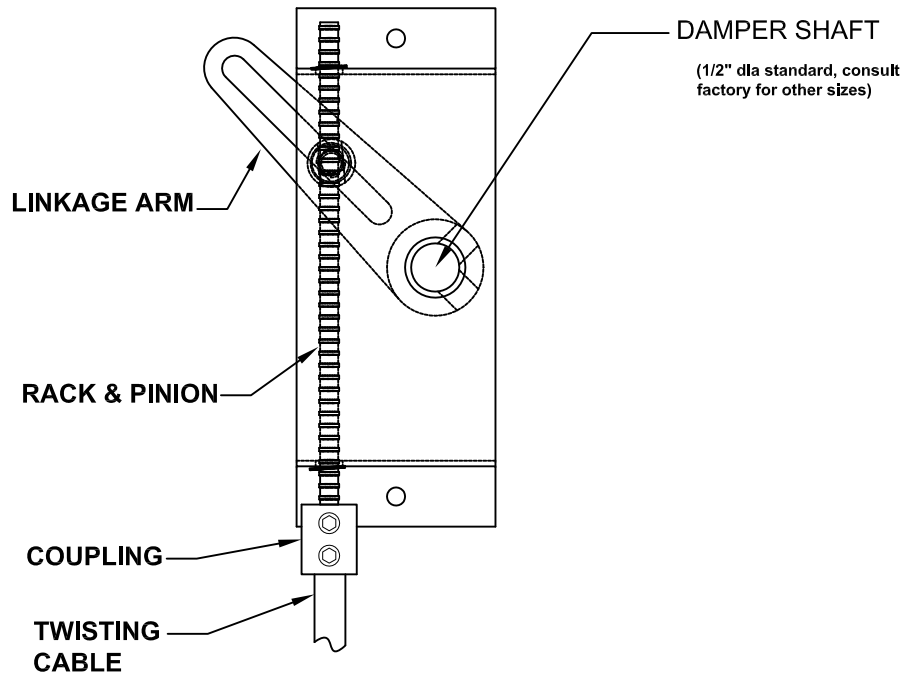


For use with models RD-RC, BM-RC, ST-RC, BT-Hi, & CD-100-RC

**Cable Connection
(at damper)**

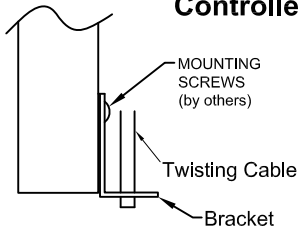


- 1.) Make sure linkage arm is in the location shown above (damper will be in full open position).
- 2.) Slide coupling onto rack & pinion and tighten.
- 3.) Slide twisting cable into coupling and tighten.
- 4.) Install damper as needed allowing cable to reach the controller.
- 5.) Connect cable to controller, if not already connected (see individual connection details for each controller).

Manufactured under license from owner of US Patent 5702298 & CN2185311

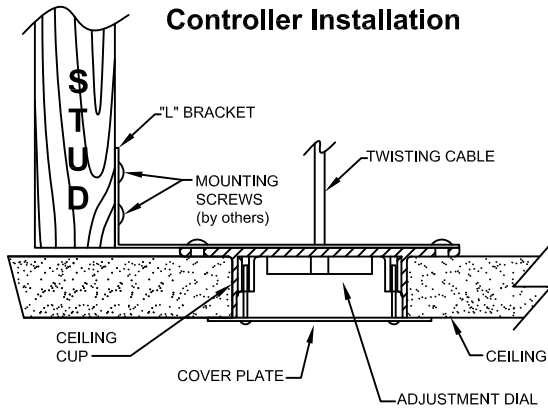
Job Name:	DRAWN BY: CLJ	DATE: 10-6-09	REV. DATE:
Location:			11-5-10
Architect:	REV. NO. 3	APPROVED BY: BGT	DWG. NO.:
Engineer:			E-20
Contractor:			

**Model 200
Controller Installation**



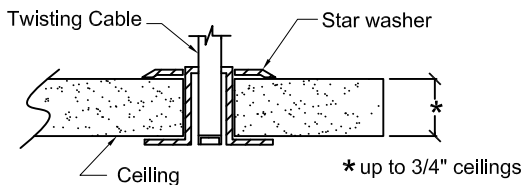
- 1.) Attach bracket to desired surface (plenum, ceiling joist, diffuser, or access panel). (mounting screws by others).
- 2.) Balance damper by turning the controller with a flat head screw driver

**Model 300
Controller Installation**



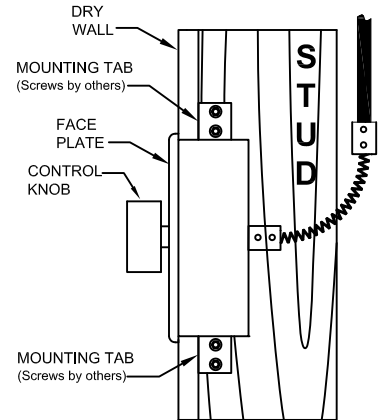
- 1.) Cut a $\text{Ø}2\frac{7}{8}$ " hole in ceiling. Install cup using "L" bracket and mounting screws (mounting screws by others)
- 2.) Attach cover to ceiling cup with provided screws.

**Model 400
Controller Installation**



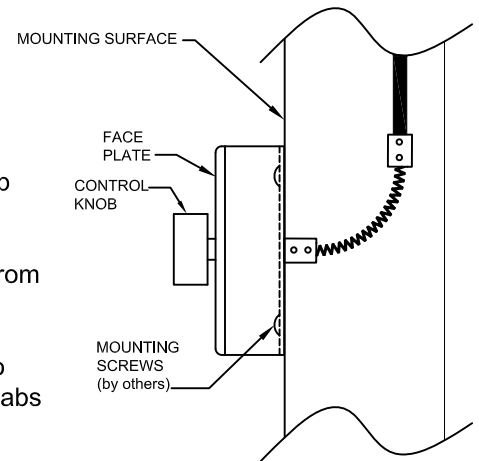
- 1.) Cut a $\text{Ø}\frac{7}{16}$ " hole in ceiling.
- 2.) Insert controller with cable and secure with provided star washer.
- 3.) Balance damper by turning controller with a flat head screwdriver.

**Model 900
Controller Installation**



- 1.) Remove control knob by loosening set screw.
- 2.) Remove face plate from box.
- 3.) Connect controller to stud through mounting tabs (mounting screws by others).
- 4.) Replace face plate and control knob.

**Model 900-SM
Controller Installation**



- 1.) Cut hole in wall at desired location
- 2.) Remove control knob by loosening set screw.
- 3.) Remove face plate from box.
- 4.) Connect controller to stud through mounting tabs (mounting screws by others).
- 5.) Replace face plate and control knob.

Manufactured under license from owner of US Patent 5702298 & CN2185311

Job Name:	DRAWN BY:	DATE:	REV. DATE:
Location:	CLJ	10-6-09	11-5-10
Architect:	REV. NO.	APPROVED BY:	DWG. NO.:
Engineer:	4	BGT	E-21
Contractor:			