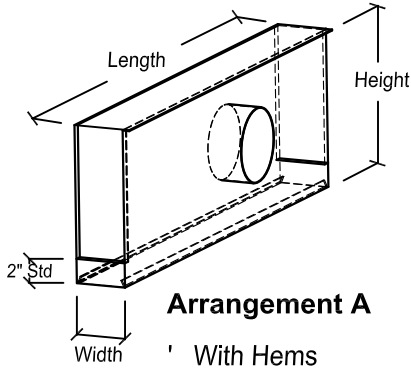


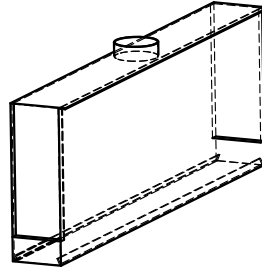
## PLENUMS - ARRANGEMENTS

SEE DWG H-6 FOR OVAL INLET OPTIONS



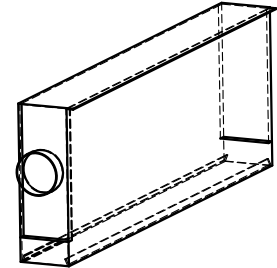
**Arrangement A**

- ' With Hems
- ' Without Hems



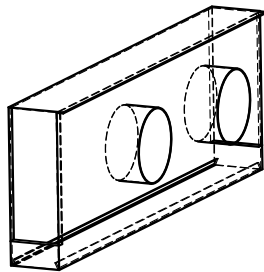
**Arrangement B**  
(standard height = 12")

- ' With Hems
- ' Without Hems



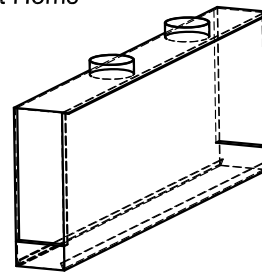
**Arrangement C**

- ' With Hems
- ' Without Hems



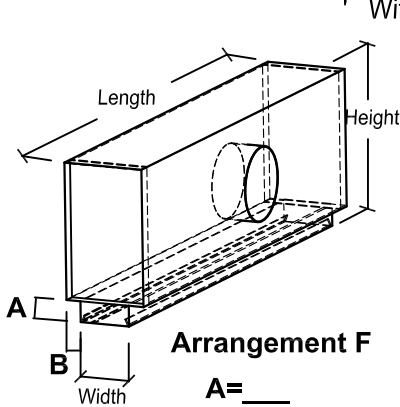
**Arrangement D**

- ' With Hems
- ' Without Hems



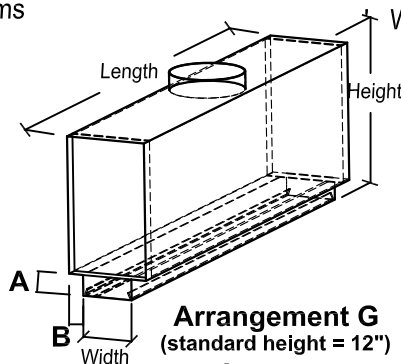
**Arrangement E**  
(standard height = 12")

- ' With Hems



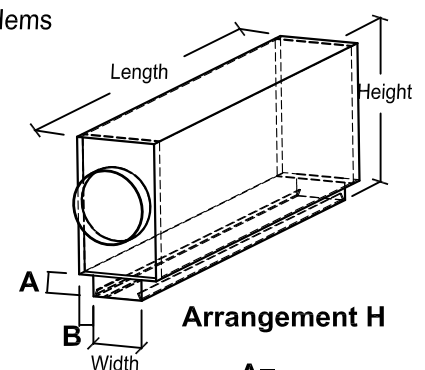
**Arrangement F**

A= \_\_\_  
B= \_\_\_



**Arrangement G**  
(standard height = 12")

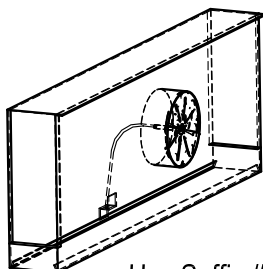
A= \_\_\_  
B= \_\_\_



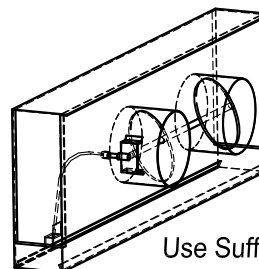
**Arrangement H**

A= \_\_\_  
B= \_\_\_

**Dampers Available**



Use Suffix # PL-X  
Radial Blade  
(Round Inlets Only)



Use Suffix # PL-X (dual)  
Single Blade (dual) rack & pinion driven  
(Round Inlets Only)