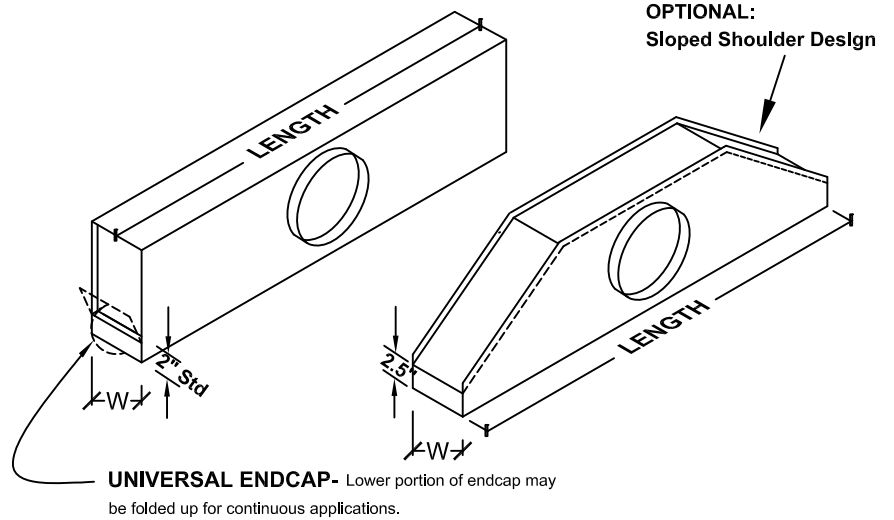
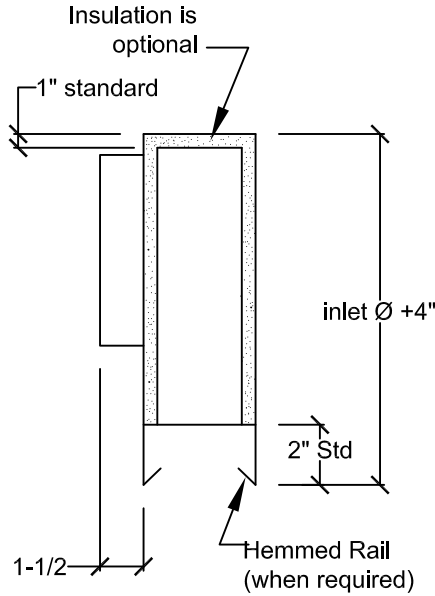


PLENUM FOR DIFFUSERS

SPECIFY DIFFUSER MANUFACTURER, MODEL AND FRAME STYLE:

- _____ NOMINAL LENGTH
- _____ NUMBER OF SLOTS
- _____ W DIMENSION
- _____ INLET SIZE



DAMPER AND INLET OPTIONS

- None
 - Oval Inlet (see Dwg. H-6)
 - Single blade w/locking nut
 - Radial blade w/J200 operator
- NOTE: Round Inlets Only

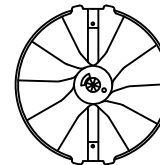
STANDARD CONSTRUCTION

26 GA. Galv. Steel up to 2" wide
24 GA. Galv. Steel over 2" wide

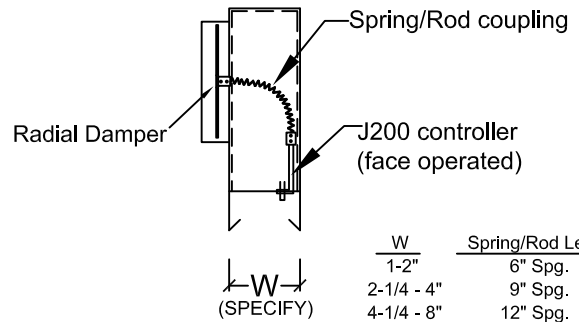
OPTIONS

- 1/2" Black Duct Liner (Standard if Insulated)
- 1" Black Duct Liner
- 3/8" Fiber Free Liner
- 1" Foil Face, 1-1/2 # Outside Wrap
- 3" - 14" Inlets Available
- All Aluminum
- All Stainless Steel (304)
- Oval Inlets- Shorter Heights 9"
- Perforated Grid
- Sloped Shoulder Design

Optional: Radial Damper



Model P-LX
Sizes 6", 8", 10", 12", & 14"



W	Spring/Rod Length
1-2"	6" Spg.
2-1/4 - 4"	9" Spg.
4-1/4 - 8"	12" Spg.

PLENUMS ARE ALSO AVAILABLE FOR SPECIAL APPLICATIONS
CONSULT FACTORY

Job Name:	Models:		
Location:	<input type="checkbox"/> P-N NON-INSULATED	<input type="checkbox"/> P-N-SL (Sloped Shoulder)	
Architect:	<input type="checkbox"/> P-L INTERNALLY INSULATED	<input type="checkbox"/> P-L-SL (Sloped Shoulder)	
Engineer:	<input type="checkbox"/> P-EX EXTERNALLY INSULATED	<input type="checkbox"/> P-EX-SL (Sloped Shoulder)	
Contractor:	<input type="checkbox"/> S PRE-FIX FOR SHORT PLENUMS		
	Drawn By: CLJ	Date: 12-1-98	Rev. Date: 11-8-10
	Rev. No.: 16	Approved By: SDC	Dwg. No.: I-2