

## Transitions, Distribution Sound Chambers

**MODEL TR** is to be used where round connections are desired on normally rectangular grilles and/or diffusers

**MODEL DSC-L** is to be used where equalization pressure chamber for proper diffuser performance is desired. In addition it serves as a good sound chamber. Standard insulation is 1/2" black liner

### STANDARD CONSTRUCTION:

**Model TR**

- 26 ga. Galvanized Steel 6 x 6 through 20 x 20
- 24 ga. Galvanized Steel over 20 x 20

**Model DSC-L**

- 26 ga. Galvanized Steel 6 x 6 through 20 x 20
- 24 ga. Galvanized Steel over 20 x 20

### OPTIONS:

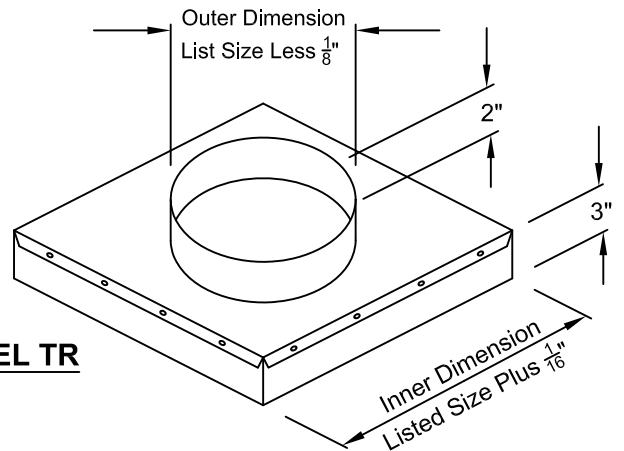
**Fiber Free Liner**

Insulation Characteristics:

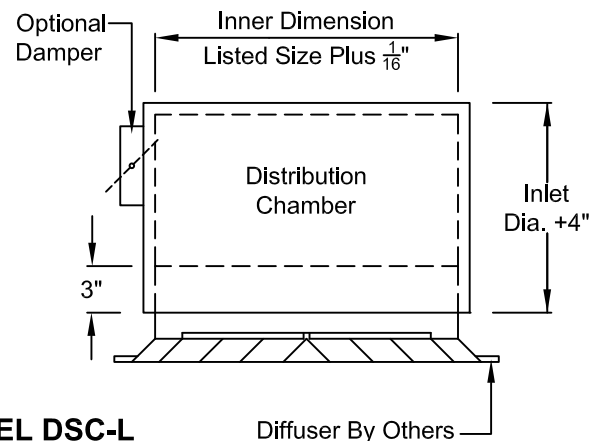
- Material: EPFI (Engineered Polymer Foam Insulation)
- Thickness: 3/8"
- Thermal Conductivity: 0.25 BTU-in/hr-ft<sup>2</sup>-F @ 75F
- Density: 1.5 lbs/cu.ft.
- Flame Spread: less than 25
- Smoke Density: less than 50
- Mold Growth: None

**Code Compliances Factory Mutual Listed Material**

- |                  |                            |
|------------------|----------------------------|
| NFPA 90A 2-2.4.2 | Appliances                 |
| NFPA 255         | 25/50                      |
| UL 181           | Air Erosion                |
| UL 181           | Mold Growth & Humidity     |
| UL 723           | Flame/Smoke Spread (25/50) |
| ASTM E96         | Water Vapor Transmission   |
| ASTM C 177       | Thermal Resistance         |
| ASTM E84         | 25/50                      |
| ASTM E96         | Water Vapor Transmission   |



**MODEL TR**



**MODEL DSC-L**

Diffusers are always 1/8" undersized

List Sizes Available		
6" x 6" Round	14" x 14" Round	20" x 20" Round
8" x 8" Round	15" x 15" Round	22" x 10" Round
9" x 9" Round	16" x 16" Round	22" x 22" Round
10" x 10" Round	18" x 18" Round	22" x 46" Round
12" x 12" Round		

Job Name:	<b>Models:</b>		
Location:	<input type="checkbox"/> <b>TR - NON-INSULATED</b>		
Architect:	<input type="checkbox"/> <b>TR-L - SOUND LINED</b>		
Engineer:	<input type="checkbox"/> <b>DSC-L - SOUND LINED</b>		
Contractor:	Drawn By: MHM	Date: 01-01-99	Rev. Date: 11-9-10
	Rev. No.: 17	Approved By: SDC	Dwg. No.: <b>I-1</b>