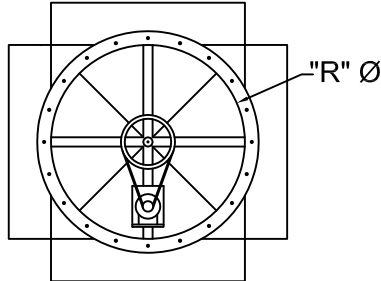


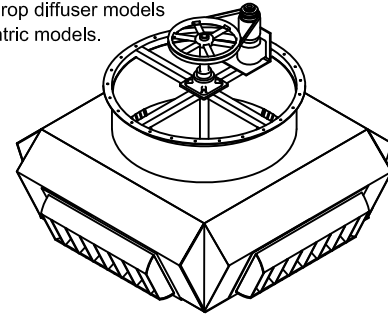
SUBMITTAL DATA

Rotating Drop Diffuser/Plenums

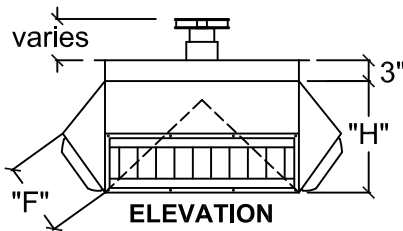
Available for all drop diffuser models excluding concentric models.



PLAN



(DPD-R Angle-face shown)



ELEVATION

STANDARD FEATURES:

- 360° Continuous rotating capability
- 1.5 RPM Electric motor
- Four-sided Pyramid for maximum performance
- 1" Ultra Lite Duct Liner
- Angle Ring Duct Connection
- 18 Ga Galvanized Steel Construction

OPTIONS:

- Powder Coated
- 3/8" Nut Insert at each corner for mounting
- Omit pyramid center air diverter
- Omit insulation
- Adjustable Drum louver with pole operated handle

QTY	MODEL #	"R" (Ø)	"H"	"F"	DRUM LOUVER SIZE	NOMINAL CFM	TONS	*THROW	N.C.	VELOCITY PRESSURE in w.g.	TOTAL PRESSURE in w.g. @ zero deflection
	DPD-R-1206-5T	16"	12"	8"	12" x 6"	2,000	5	42-52-73	44	.061	.432
	DPD-R-1806-7.5T	18"	12"	8"	18" x 6"	3,000	7.5	43-53-74	44	.062	.370
	DPD-R-3006-10T	24"	12"	8"	30" x 6"	4,000	10	50-61-86	38	.040	.201
	DPD-R-2010-12.5T	26"	17"	12"	20" x 10"	5,000	12.5	52-65-91	44	.059	.290
	DPD-R-2510-15T	30"	17"	12"	25" x 10"	6,000	15	60-73-101	41	.049	.201
	DPD-R-3510-20T	32"	17"	12"	35" x 10"	8,000	20	71-88-122	41	.041	.170
	DPD-R-4010-25T	38"	17"	12"	40" x 10"	10,000	25	76-93-131	36	.031	.159
	DPD-R-5010-30T	38"	17"	12"	50" x 10"	12,000	30	86-105-149	38	.032	.160
	DPD-R-6012-40T	40"	19"	14"	60" x 12"	16,000	40	89-119-179	38	.035	.161

*Throws based on 150-100-50 FPM terminal velocities without the aid of a ceiling. (Isothermal air)
 cold supply (20°F ΔT) reduces horizontal throw 30% while increasing vertical throw by 30%
 warm air (20°F ΔT) increases horizontal throw 30% while reducing vertical throw by 30%

CORRECTION FACTOR

Deflection	15°	30°
NC	+4	+9
Throw	x .85	x .73
Total Pressure	x 1.5	x 1.9

Job Name:

Location:

Architect:

Engineer:

Contractor:

MODEL DPD-R

*Rotating Angle Face
Plenum Diffuser*

DRAWN BY:
CLJ

DATE:
11-21-05

REV. DATE:
1-30-18

REV. NO.
5

APPROVED BY:
JAS

DWG. NO.:
H-8