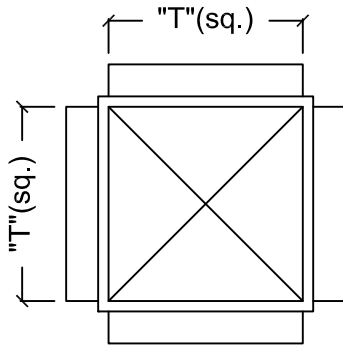
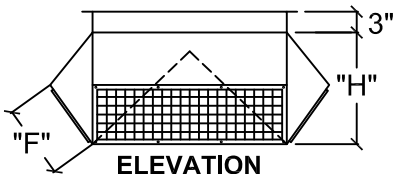


SUBMITTAL DATA

Drop Diffuser/Plenums



PLAN



ELEVATION



STANDARD FEATURES:

- *Double Deflection Grilles
- 1" Ultra Lite Duct Liner
- TDC Duct Connection
- G90 Galvanized Steel Construction Per SMACNA Requirements
- Turning Vanes

OPTIONS:

- Custom Built up to 100,000 cfm
- Powder Coated
- "Premium Performance"- 360° rotating drop diffuser (1.5 RPM- Electric motor driven)
(Note: duct connection changes to round-equivalent square)
- Omit Turning Vanes
- Omit insulation
- Hanging Angles

QTY	MODEL #	"T" (sq.)	"H"	"F"	GRILLE SIZE	NOMINAL CFM	TONS	*THROW	N.C.	VELOCITY PRESSURE in w.g.	TOTAL PRESSURE in w.g. @ zero deflection
	AFPD-1408-5T	16"	14"	10"	14" x 8"	2,000	5	20-28-39	23	.031	.072
	AFPD-1608-6T	18"	14"	10"	16" x 8"	2,400	6	22-31-43	23	.032	.073
	AFPD-2008-7.5T	22"	14"	10"	20" x 8"	3,000	7.5	23-31-43	26	.037	.088
	AFPD-2010-8.5T	22"	17"	12"	20" x 10"	3,400	8.5	26-37-51	25	.031	.073
	AFPD-2210-10T	24"	17"	12"	22" x 10"	4,000	10	28-39-54	27	.039	.090
	AFPD-2410-12.5T	26"	17"	12"	24" x 10"	5,000	12.5	33-44-62	28	.040	.094
	AFPD-2810-15T	30"	17"	12"	28" x 10"	6,000	15	37-49-68	31	.042	.096
	AFPD-3016-20T	32"	26"	18"	30" x 16"	8,000	20	40-54-78	25	.029	.059
	AFPD-3616-25T	38"	26"	18"	36" x 16"	10,000	25	41-62-87	28	.029	.070
	AFPD-3618-30T	38"	28"	20"	36" x 18"	12,000	30	54-78-110	33	.035	.079
	AFPD-3820-40T	40"	32"	22"	38" x 20"	16,000	40	55-82-114	33	.035	.079
	AFPD-4222-50T	44"	34"	24"	42" x 22"	20,000	50	77-95-134	40	.042	.123
	AFPD-4624-62.5T	48"	36"	26"	46" x 24"	25,000	62.5	87-107-152	43	.043	.128
	AFPD-4824-80T	50"	36"	26"	48" x 24"	32,000	80	98-120-152	48	.065	.192

*Throws based on 150-100-50 FPM terminal velocities without the aid of a ceiling. (Isothermal air) cold supply (20°F ΔT) reduces horizontal throw 30% while increasing vertical throw by 30% warm air (20°F ΔT) increases horizontal throw 30% while reducing vertical throw by 30%

CORRECTION FACTOR

Deflection	22.5°	45°
NC	+5	+10
Throw	x .81	x .77
Total Pressure	x 1.3	x 1.81

Job Name:	<input type="checkbox"/> MODEL AFPD <i>Angle Face Plenum Diffuser</i>			
Location:				
Architect:		DRAWN BY: CLJ	DATE: 9-1-99	REV. DATE: 2-2-18
Engineer:		REV. NO. 15	APPROVED BY: JAS	DWG. NO.: H-5
Contractor:				