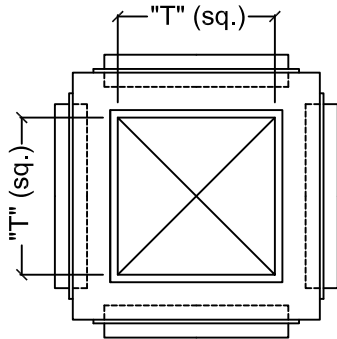
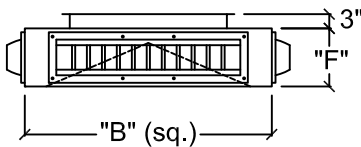


# SUBMITTAL DATA

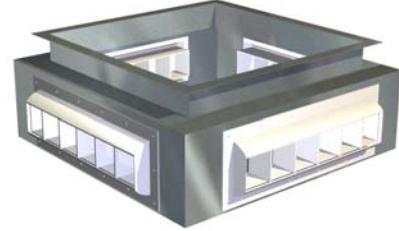
## Drop Diffuser/Plenums



PLAN



ELEVATION



**STANDARD FEATURES:**

- \*Drum Louvers
- 1" Ultra Lite Duct Liner
- TDC Duct Connection
- Galvanized Steel Construction:
  - 24 gauge DPD 1206-5 thru 2510-15
  - 20 gauge DPD 3510-20 thru 6012-40
  - 18 gauge DPD 7012-50 thru 7215-62.5

**OPTIONS:**

- Custom Built up to 200,000 cfm
- Powder Coated
- 3/8" Nut Insert at each corner for mounting
- "Premium Performance" -360° rotating drop diffuser (1.5 RPM- Electric motor driven)
 

(Note: duct connection changes to round-equivalent square)
- Omit pyramid center air diverter
- Omit insulation

QTY	MODEL #	"T" (sq.)	"B"	"F"	GRILLE SIZE	NOMINAL CFM	TONS	*THROW	N.C.	VELOCITY PRESSURE in w.g.	TOTAL PRESSURE in w.g. @ zero deflection
	DPD1206-5	14"	22"	9"	12" x 6"	2,000	5	35-43-61	43	.062	.433
	DPD1806-7.5	20"	28"	9"	18" x 6"	3,000	7.5	43-53-74	44	.062	.370
	DPD3006-10	22"	40"	9"	30" x 6"	4,000	10	50-61-86	38	.040	.205
	DPD2010-12.5	24"	30"	13"	20" x 10"	5,000	12.5	52-65-91	44	.059	.290
	DPD2510-15	28"	35"	13"	25" x 10"	6,000	15	60-73-101	41	.049	.201
	DPD3510-20	30"	45"	13"	35" x 10"	8,000	20	71-88-122	41	.041	.170
	DPD4010-25	36"	50"	13"	40" x 10"	10,000	25	76-93-131	36	.031	.159
	DPD5010-30	38"	60"	13"	50" x 10"	12,000	30	86-105-149	38	.032	.160
	DPD6012-40	40"	70"	15"	60" x 12"	16,000	40	88-108-154	40	.031	.159
	DPD7012-50	48"	80"	15"	70" x 12"	20,000	50	89-110-159	42	.032	.160
	DPD7215-62.5	52"	82"	18"	72" x 15"	25,000	62.5	110-137-190	44	.041	.118

\*Throws based on 150-100-50 FPM terminal velocities with aid of a ceiling.

**ISOTHERMAL CONDITIONS @ ZERO DEFLECTION**

3 ft. below ceiling reduces throw 10% isothermal
4 ft. below ceiling reduces throw 20% isothermal
no ceiling reduces throw 30% isothermal

cold supply (20°F ΔT) reduces horizontal throw 30% while increasing vertical throw by 30%  
 warm air (20°F ΔT) increases horizontal throw 30% while reducing vertical throw by 30%

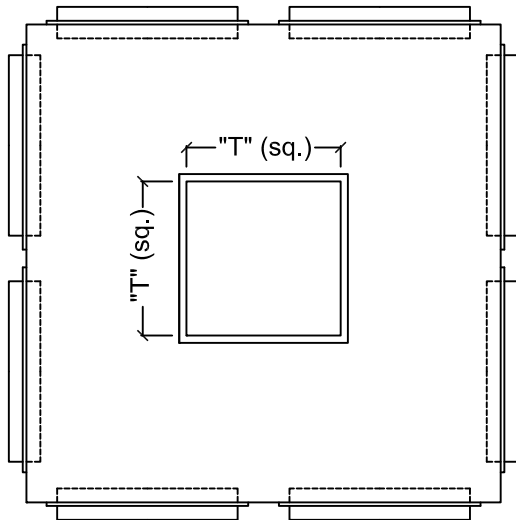
**CORRECTION FACTOR**

Deflection	15°	30°
NC	+4	+9
Throw	x .85	x .73
Total Pressure	x 1.5	x 1.9

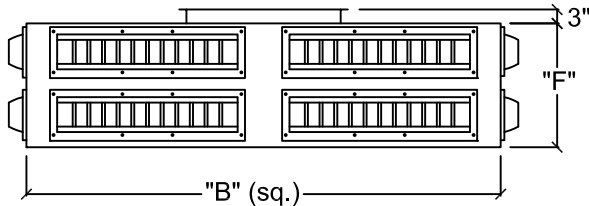
Job Name:	<input type="checkbox"/> <b>MODEL DPD</b> <i>Drum Louver Plenum Diffuser</i>		
Location:			
Architect:	DRAWN BY: CLJ	DATE: 9-1-99	REV. DATE: 5-29-12
Engineer:	REV. NO. 10	APPROVED BY: CLJ	DWG. NO.: <b>H-1</b>
Contractor:			

# SUBMITTAL DATA

## Drop Diffuser/Plenums



PLAN



ELEVATION

**STANDARD FEATURES:**

- \*Drum Louvers
- 1" Ultra Lite Duct Liner
- TDC Duct Connection
- 18 Ga Galvanized Steel Construction

**OPTIONS:**

- Custom Built up to 200,000 cfm
- Powder Coated
- 3/8" Nut Insert at each corner for mounting
- "Premium Performance" -360° rotating drop diffuser (1.5 RPM- Electric motor driven)
- (Note: duct connection changes to round-equivalent square)
- Omit insulation

QTY	MODEL #	"T" (sq.)	"B"	"F"	GRILLE SIZE	NOMINAL CFM	TONS	*THROW	N.C.	VELOCITY PRESSURE in w.g.	TOTAL PRESSURE in w.g. @ zero deflection
	DPD6610-75	48"	148"	32"	66" x 10"	30,000	75	97-118-166	42	.040	.160
	DPD6612-87.5	50"	148"	36"	66" x 12"	35,000	87.5	105-125-175	42	.040	.150
	DPD7212-105	56"	160"	36"	72" x 12"	42,000	105	115-141-200	46	.050	.160

\*Throws based on 150-100-50 FPM terminal velocities with aid of a ceiling.

**ISOTHERMAL CONDITIONS @ ZERO DEFLECTION**

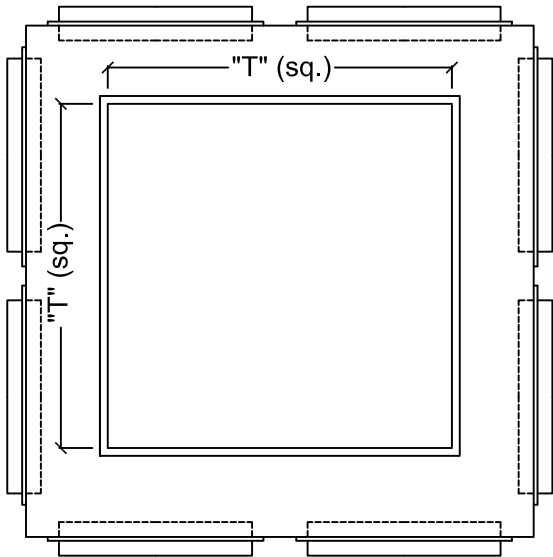
3 ft. below ceiling reduces throw 10% isotheramal
4 ft. below ceiling reduces throw 20% isotheramal
no ceiling reduces throw 30% isotheramal

cold supply (20°F ΔT) reduces horizontal throw 30% while increasing vertical throw by 30%  
 warm air (20°F ΔT) increases horizontal throw 30% while reducing vertical throw by 30%

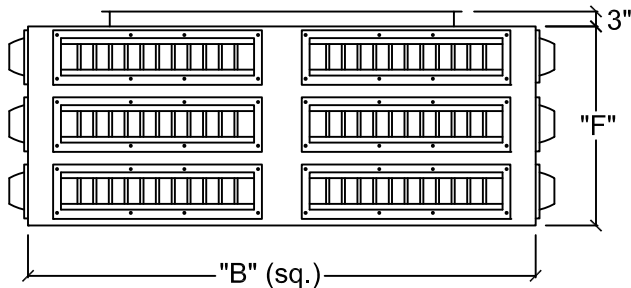
**CORRECTION FACTOR**

Deflection	15°	30°
NC	+4	+9
Throw	x .85	x .73
Total Pressure	x 1.5	x 1.9

Job Name:	<input type="checkbox"/> <b>MODEL DPD</b> <i>Drum Louver Plenum Diffuser</i>		
Location:			
Architect:	DRAWN BY: CLJ	DATE: 10-13-05	REV. DATE: 12-16-11
Engineer:	REV. NO. 7	APPROVED BY: BGT	DWG. NO.: <b>H-2</b>
Contractor:			



**PLAN**



**ELEVATION**

**STANDARD FEATURES:**

- \*Drum Louvers
- 1" Ultra Lite Duct Liner
- TDC Duct Connection
- 18 Ga Galvanized Steel Construction

**OPTIONS:**

- Custom Built up to 200,000 cfm
- Powder Coated
- 3/8" Nut Insert at each corner for mounting
- "Premium Performance" -360° rotating drop diffuser (1.5 RPM- Electric motor driven)  
(Note: duct connection changes to round-equivalent square)
- Omit insulation

QTY	MODEL #	"T" (sq.)	"B"	"F"	GRILLE SIZE	NOMINAL CFM	TONS	*THROW	N.C.	VELOCITY PRESSURE in w.g.	TOTAL PRESSURE in w.g. @ zero deflection
	DPD6610-150	86"	150"	48"	66" x 10"	60,000	150	102-124-172	43	.040	.132
	DPD6612-200	92"	150"	54"	66" x 12"	80,000	200	110-135-191	46	.050	.160
	DPD7215-275	110"	162"	63"	72" x 15"	110,000	275	138-165-234	48	.050	.140

\*Throws based on 150-100-50 FPM terminal velocities with aid of a ceiling.

**ISOTHERMAL CONDITIONS @ ZERO DEFLECTION**

3 ft. below ceiling reduces throw 10% isotheramal
4 ft. below ceiling reduces throw 20% isotheramal
no ceiling reduces throw 30% isotheramal

cold supply (20°F ΔT) reduces horizontal throw 30% while increasing vertical throw by 30%  
 warm air (20°F ΔT) increases horizontal throw 30% while reducing vertical throw by 30%

**CORRECTION FACTOR**

Deflection	15°	30°
NC	+4	+9
Throw	x .85	x .73
Total Pressure	x 1.5	x 1.9

Job Name:	<input type="checkbox"/> <b>MODEL DPD</b> <i>Drum Louver Plenum Diffuser</i>		
Location:	DRAWN BY: CLJ	DATE: 10-13-05	REV. DATE: 12-16-11
Architect:	REV. NO. 6	APPROVED BY: BGT	DWG. NO.: <b>H-3</b>
Engineer:			
Contractor:			