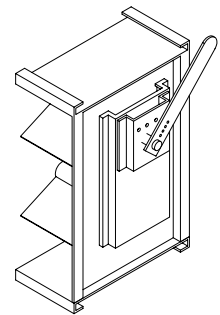


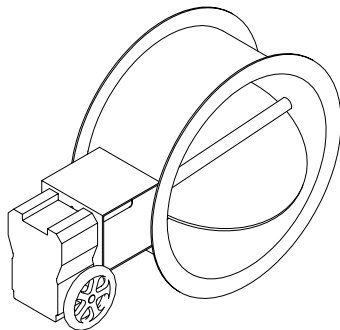
Hand Quadrant
Operator #1

1/2" round shaft only

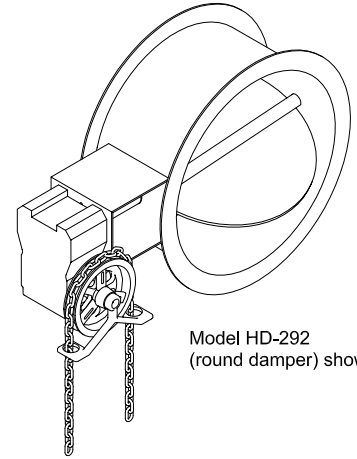


Hand Quadrant
Operator #2

Heavy Duty
1/2" & 3/4" round shafts



Model HD-292
(round damper) shown



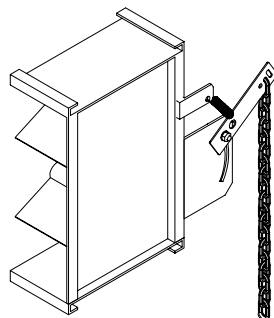
Model HD-292
(round damper) shown

Worm Gear with Hand Wheel
Operator #3

Heavy Duty
1/2" & 3/4" round shafts

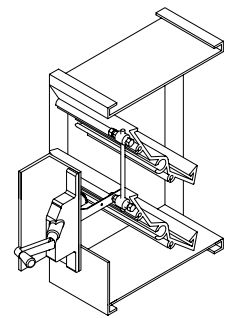
Worm Gear with Chain Wheel
Operator #4

Heavy Duty
1/2" & 3/4" round shafts



Pull Chain
Operator #5

10 ft. chain standard



Heavy Duty Rotary
Hand Crank Operator #6

Mounted in the airstream
Primarily used on louvers

Job Name:	Drawn By: CLJ	Date: 03-25-03	Rev. Date: 8-29-06
Location:			
Architect:	Rev. No.: 5	Approved By: BGT	Dwg. No.: H-4
Engineer:			
Contractor:			