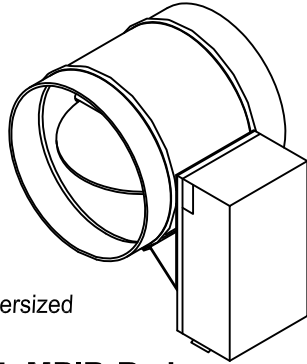


**Mass Bypass System
(Pressure Independent)**

The MPIB is a simple, stand alone, pressure independent system that works to maintain a static pressure set point (adjustable from .05" to .5" w.g.). This system includes a transducer which senses mass air flow using a chip located in the air flow channel for a quick and reliable response. Dual synchronous actuators, mounted in tandem, deliver clockwise and counter clockwise rotation without significant rise in temperature.



1/8" undersized

MODEL MPIB-R shown

MPIB-R FEATURES:

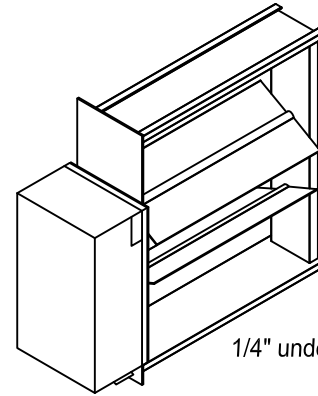
- Body: 24 ga. galvanized (for dia. 4" - 10")
20 ga. galvanized (for dia. 12" - 20")
- Blades: Double skin 24 ga. galvanized steel w/gasket
- Body Length 8"
- Bronze oilite bearings

OPTIONS:

- Aluminum Construction
- Stainless Steel Construction

COMPONENTS:

- Dual Synchronous Actuators
 - 24VAC (no transformer)
 - 120VAC (supplied with transformer)
- REE-1004 Relay Module
- Pressure Transducer (with internal filter)



1/4" undersized

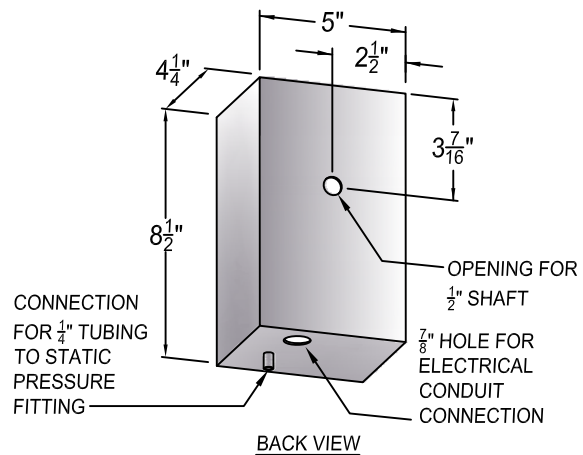
MODEL MPIB shown

MPIB FEATURES:

- .081 extruded aluminum frame and blade

OPTIONS:

- Blade Seals
- Jamb Seals
- Stainless Steel Construction (epoxy coated linkage)



Job Name:	<input type="checkbox"/> Model MPIB (rectangular) <input type="checkbox"/> Model MPIB-R (round)
Location:	
Architect:	
Engineer:	
Contractor:	

DRAWN BY:	DATE:	REV. DATE:
CLJ	12-3-08	02-25-09
REV. NO.	APPROVED BY:	DWG. NO.:
3	SDC	G-7