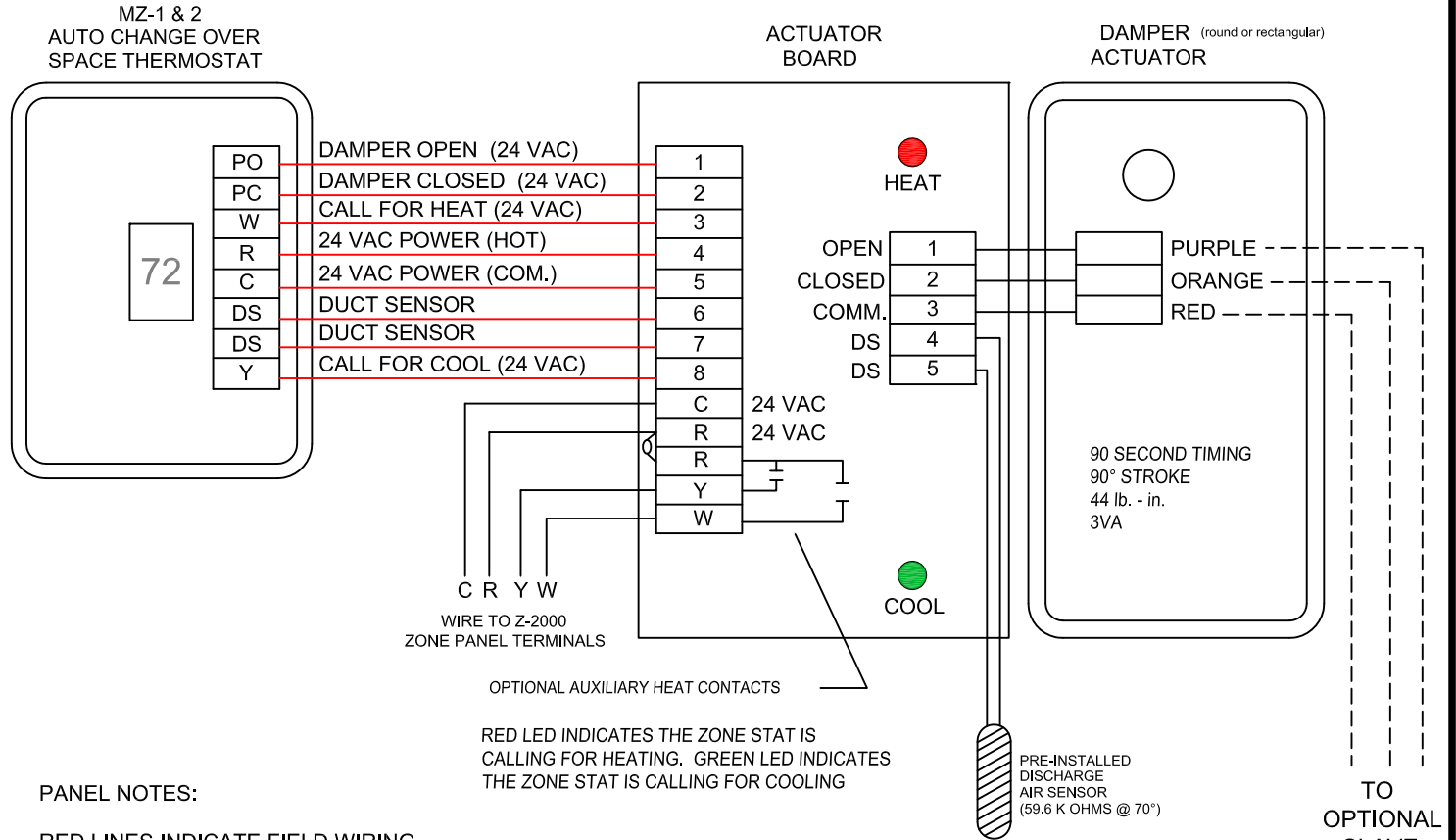


MODULATING STAND-ALONE ZONE DAMPER ASSEMBLY



PANEL NOTES:

- RED LINES INDICATE FIELD WIRING.
- USE STANDARD EIGHTEEN GAUGE THERMOSTAT WIRE.
- PANEL REQUIRES A 24 VAC 40 VA TRANSFORMER.

DAMPER NOTES:

- THE ACTUATOR BOARD IS LOCATED ON THE SIDE OF THE DAMPER ACTUATOR AND IS FACTORY WIRED.
- THE SPACE THERMOSTAT WILL CONTROL UP TO 6 DAMPER MOTORS IN PARALLEL.
- IF DISCHARGE AIR TEMPERATURE AT THE DAMPER IS WARMER THAN 72° F THE ZONE DAMPER OPERATES AS A HEATING DAMPER AND VICE VERSA FOR COOLING.

TESTING:

- DISCONNECT THE DISCHARGE AIR SENSOR AND PUT THE THERMOSTAT IN THE COOLING MODE. TURN THE THERMOSTAT DOWN AND THE DAMPER SHOULD OPEN.
- SHORT THE DISCHARGE AIR SENSOR AND PUT THE THERMOSTAT IN THE HEATING MODE. TURN THE THERMOSTAT UP AND THE DAMPER SHOULD OPEN.
- ALLOW 3 MINUTES FOR THERMOSTAT TO SYNCHRONIZE ITSELF
- JUMPER TERMINALS 1 AND 4 AT THE THERMOSTAT TO DRIVE DAMPER OPEN